

Field Replaceable Parts

It is important when ordering parts to include the following information:

- Component's part number
- Product type or model number
- Serial number of the printer

Serial numbering. Particular fields in the serial number indicate the modification level of the printer, the date of its manufacture and the sequence number of the printer produced on that day. The serial number is coded as follows:

JLxxDMY

J indicates the headquarter country of the manufacturing company, Japan.

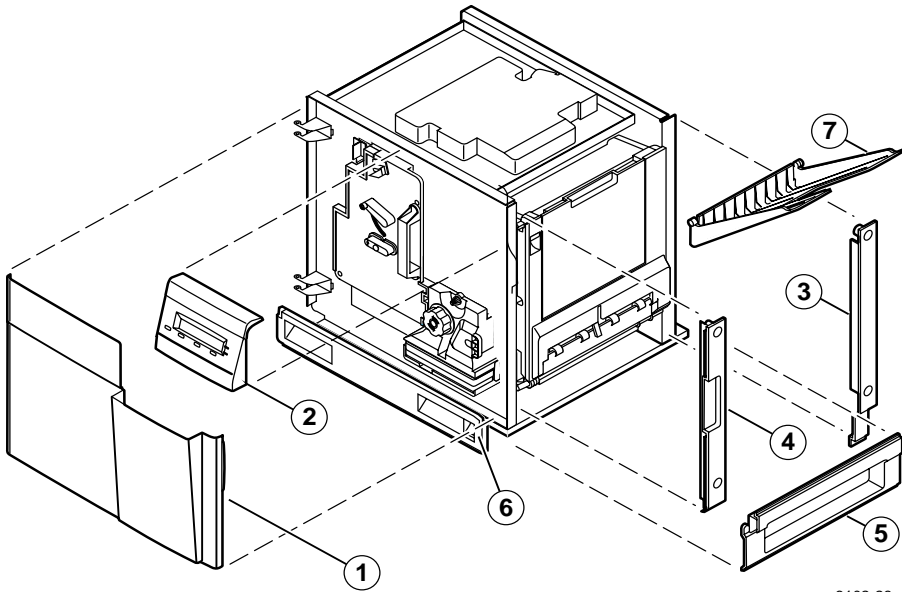
L indicates the modification level of the printer, ranging alpha-numerically from 0 to Z.

xx alpha-numerically indicates the sequence of the printer among the printers produce on that day of manufacture, ranging from 01 to ZZ representing 1 to 1296 (the letters I and O are not used).

D alpha-numerically indicates the day of manufacture, ranging from 1 to X representing 1 to 31 (the letters I and O are not used).

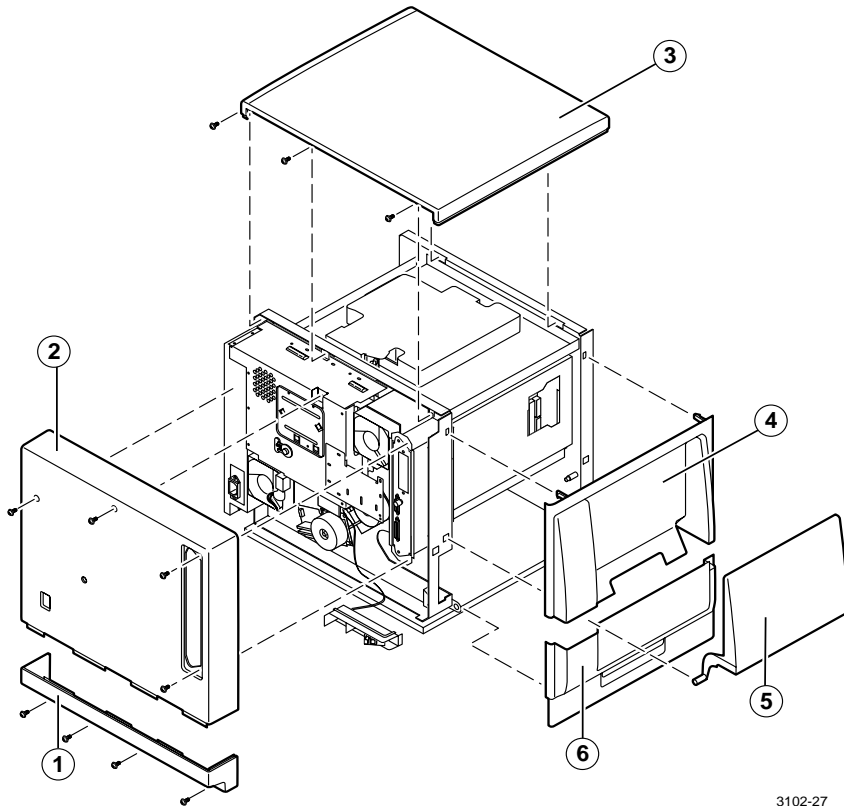
M alpha-numerically indicates the month of manufacture, ranging from 1 to C representing 1 to 12.

Y numerically indicates the last digit of the year of manufacture, ranging from 0 to 9.



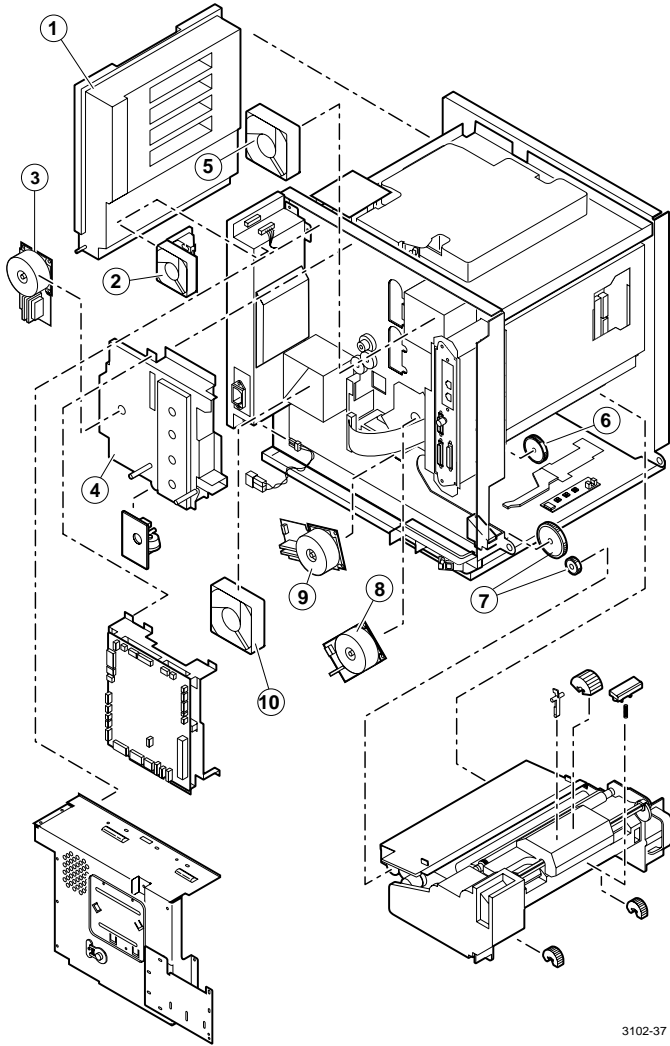
3102-26

Figure 1 Front Cabinet FRUs



3102-27

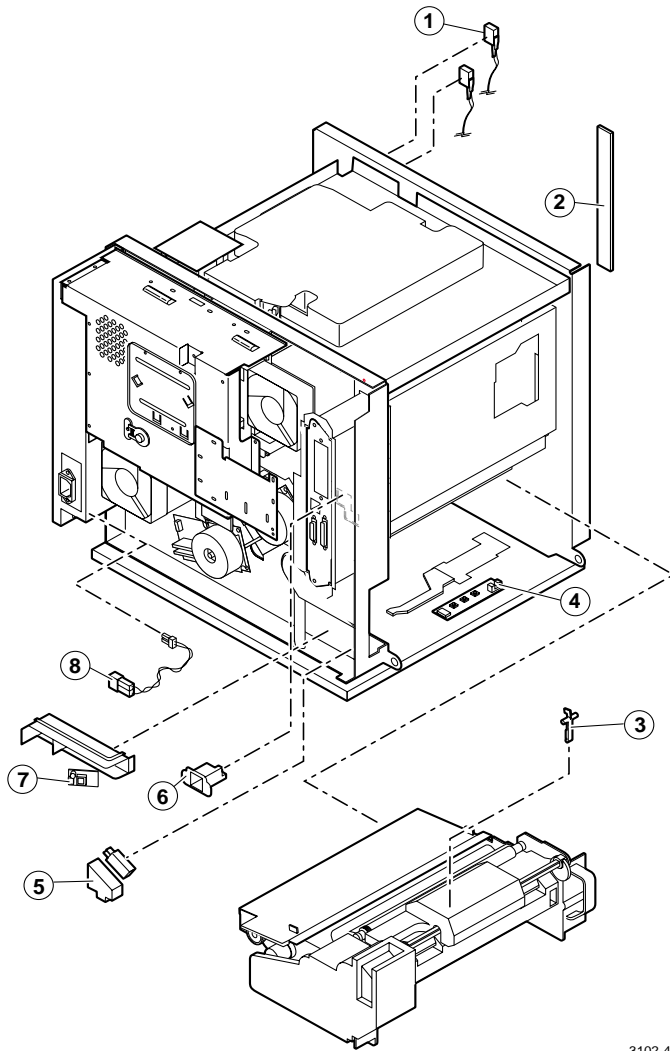
Figure 2 Rear Cabinet FRUs



3102-37

Figure 3 Motor and fan FRUs

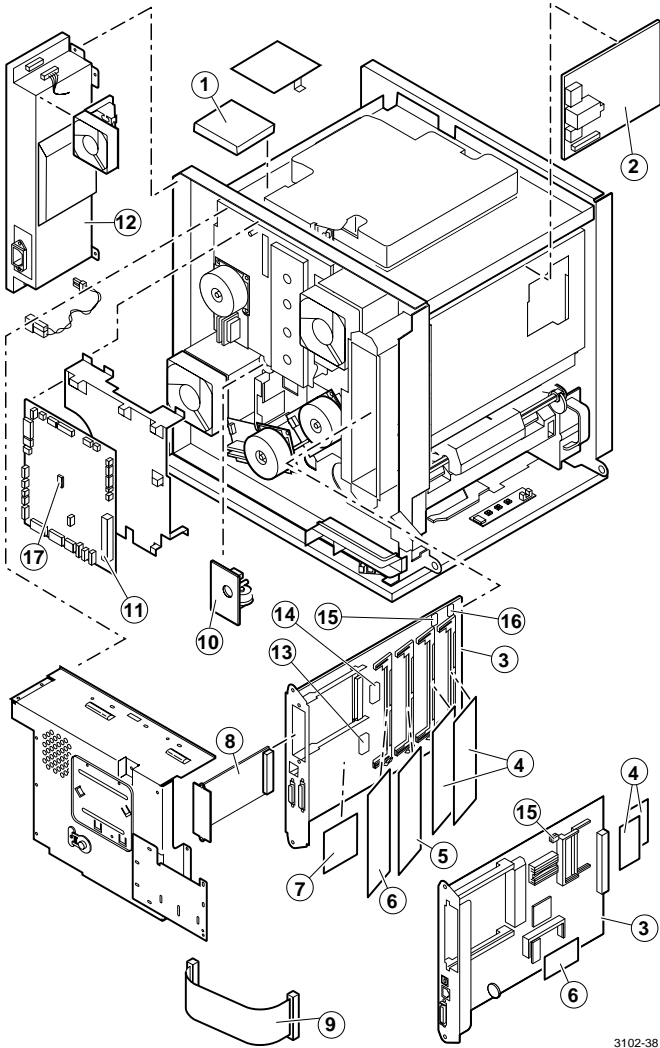
Phaser 740 Online Service Information



3102-40

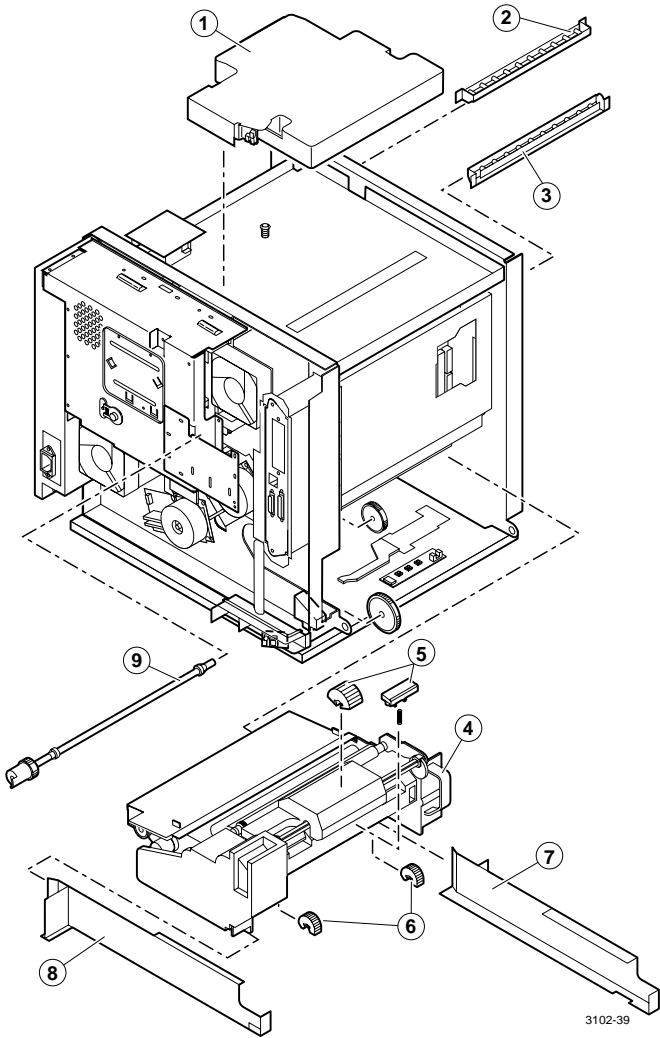
Figure 4 Sensor, switch and flag FRUs

Phaser 740 Online Service Information



3102-38

Figure 5 Circuit board and electronic FRUs



3102-39

Figure 6 Imaging and paper feed component FRUs

Kits and other hardware

Fig 1 parts	Part number	Serial number		Qty	Name and description
		Effective	Discont'd		
	118-9560-00			1	Spring, toner cartridge, front and rear 2 rear springs (thick-CMYK) 1 front spring (thin-black only) 2 front springs (thin-CMY)
	118-9520-00			1	Hardware kit Screws E-rings C-rings Front and rear guide springs Laser Scanner shaft and spring (under laser scanner)

Supplies and accessories

	Part number	Serial number		Qty	Name and description
		Effective	Discont'd		
Supply	016-1684-00			1	Black toner standard cartridge
Supply	016-1685-00			1	Cyan toner standard cartridge
Supply	016-1686-00			1	Magenta toner standard cartridge
Supply	016-1687-00			1	Yellow toner standard cartridge
Supply	016-1656-00			1	Black toner extended cartridge
Supply	016-1657-00			1	Cyan toner extended cartridge
Supply	016-1658-00			1	Magenta toner extended cartridge
Supply	016-1659-00			1	Yellow toner extended cartridge
Supply	016-1663-00			1	Fuser Roll

Supplies and accessories

	Part number	Serial number		Qty	Name and description
		Effective	Discont'd		
Supply	016-1662-00			1	Color imaging unit
Supply	016-1660-00			1	Fuser (110 VAC)
Supply	016-1661-00			1	Fuser (220 VAC)
Supply	016-1664-00			1	Transfer roller kit
Supply	016-1665-00			1	Main charge grid
Supply	436-0282-01			1	Paper tray, Letter-size
Supply	436-0283-01			1	Paper tray, A4-size
Supply	436-0314-01			1	Paper tray, Legal-size
Supply	436-0284-01			1	Transparency tray, Letter-size
Supply	436-0285-01			1	Transparency tray, A4-size
Supply	016-1654-00			1	Transparency, Letter-size, 50 sheets
Supply	016-1655-00			1	Transparency, Metric-size, 50 sheets
Supply	016-1368-00			1	Paper, A-size, 500 sheets
Supply	016-1369-00			1	Paper, A4-size, 500 sheets
Supply	016-1704-00			1	Coated Paper, A-size, 100 sheets
Supply	016-1705-00			1	Coated Paper, A4-size, 100 sheets
Supply	016-1637-00			1	T-shirt transfer material, A-size, 100 sheets
	063-3100-00				Phaser 740 User Guide (English)
	063-3100-10				Phaser 740 User Guide (French)
	063-3100-20				Phaser 740 User Guide (Italian)
	063-3100-30				Phaser 740 User Guide (German)

Supplies and accessories

Part number	Serial number Effective	Discont'd	Qty	Name and description
063-3100-40				Phaser 740 User Guide (Spanish)
063-3100-05				Phaser 740 User Guide (Russian)
063-3101-00				Phaser 740 Setup Guide (English)
063-3101-10				Phaser 740 Setup Guide (French)
063-3101-20				Phaser 740 Setup Guide (Italian)
063-3101-30				Phaser 740 Setup Guide (German)
063-3101-40				Phaser 740 Setup Guide (Spanish)
063-3101-05				Phaser 740 Setup Guide (Russian)
071-0236-00				Advanced Features and Troubleshooting (English)
063-3116-00				PhaserShare Setup Guide (English)
063-3116-10				PhaserShare Setup Guide (French)
063-3116-20				PhaserShare Setup Guide (Italian)
063-3116-30				PhaserShare Setup Guide (German)
063-3116-40				PhaserShare Setup Guide (Spanish)
063-3102-00				Phaser 740 Service Quick Reference Guide
063-3079-00				CD-ROM, English

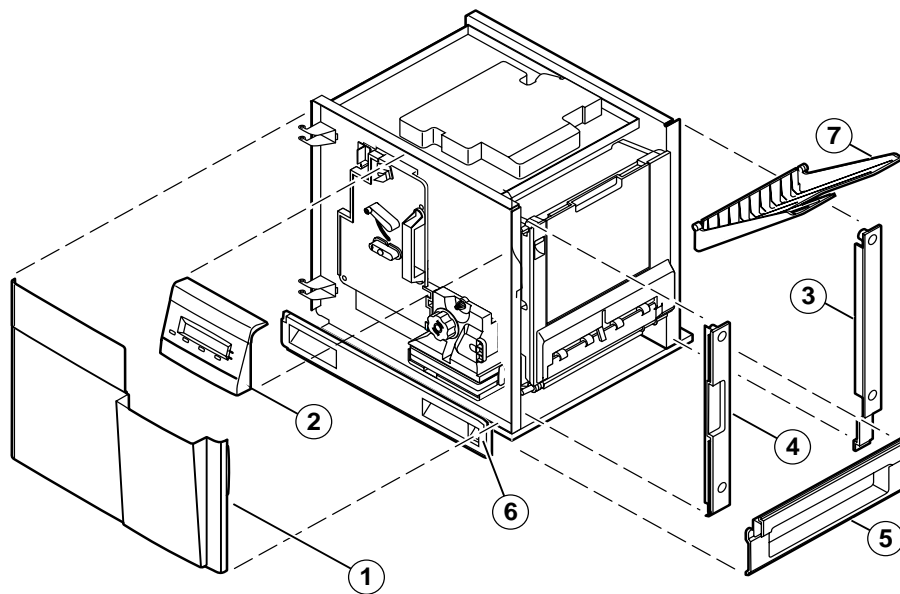
Supplies and accessories

Part number	Serial number		Qty	Name and description
	Effective	Discont'd		
063-3079-10				CD-ROM, French
063-3079-20				CD-ROM, Italian
063-3079-30				CD-ROM, German
063-3079-40				CD-ROM, Spanish
063-3079-70				CD-ROM, Simplified Chinese
063-3079-80				CD-ROM, Traditional Chinese
063-3079-90				CD-ROM, Korean
063-3132-00				Adobe Type Manager
063-3078-00				Drivers and Utilities, English
063-3078-70				Drivers and Utilities, Simplified Chinese
063-3078-80				Drivers and Utilities, Traditional Chinese
063-3078-90				Drivers and Utilities, Korean
012-1379-00				Cable Serial, 9-pin to 9-pin
012-1299-00				Cable, interconnect., 2.5 m 50-pins. to 25-pins
012-1468-00				Cable, Parallel w/IEEE 1284C (mini)
012-1465-00				Cable, SCSI II to 50-pin SCSI
012-1380-00				Cable, Serial, 9-pin to 25-pin
013-0299-00				Parallel cable adapter (standard to mini)
003-1496-00			1	Toner Vacuum (115 VAC)
003-1497-00			1	Toner Vacuum (220 VAC)
003-1498-00				Filter for 3M Toner Vacuums

Supplies and accessories

Part number	Serial number		Qty	Name and description
	Effective	Discont'd		
003-1623-00				Spring removal tool
003-0619-00			1	DIP IC removal tool
003-1633-00				PLCC IC removal tool
013-0297-00			1	SCSI cable adapter, 50-pin to SCSI II
103-0030-00			1	Adapter, T-Connector, BNC
011-0123-00			1	Coaxial Term. 50 ohms, BNC
161-0066-00			1	Power cord, domestic
016-1710-00			1	Cleaning kit
161-0066-09			1	Power cord, 220V Euro
161-0066-10			1	Power cord, U.K.
161-0066-11			1	Power cord, Australian
161-0154-00			1	Power cord, Swiss
161-0240-00			1	Power cord, Danish
006-7998-00			1	Conductive grease, silicon
006-7971-00			1	Imaging unit light shield/drape
065-0576-00			1	Shipping box, replacement kit pallet, shipping carton, cushions, rebanding kit
650-3572-00			1	Carton bands
004-4844-00			1	Shipping carton
039-0029-00			1	Copy unit, A-size
119-6003-01			1	External SCSI ZDISK Hard Disk

Item:	Part Number:	Serial number:	Quantity:	Description:
1	118-9893-00		1	Front door with hinges (Phaser 740)
	116-0852-00		1	Front door with hinges (Phaser 750)



3102-26

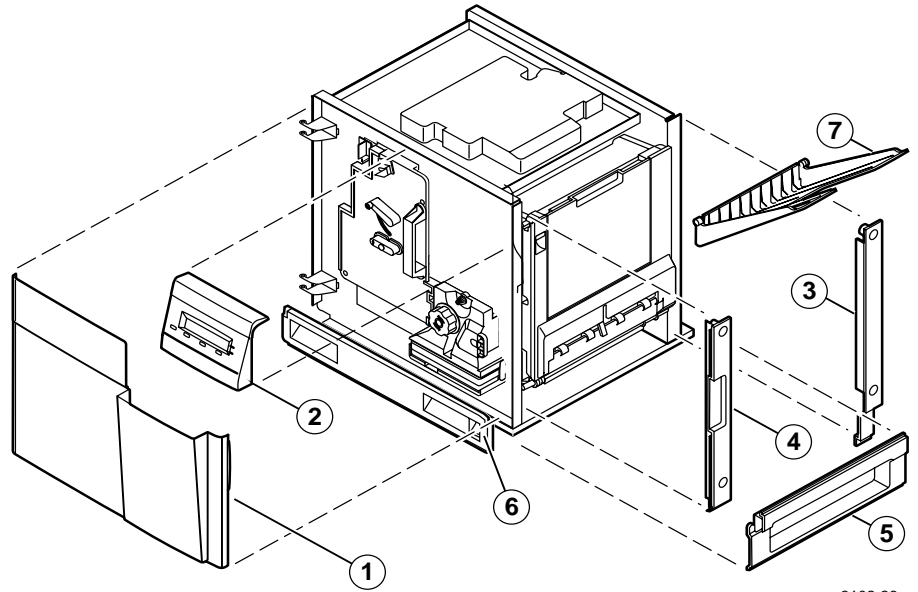
Item:
2

Part Number:
118-9892-00

Serial number:

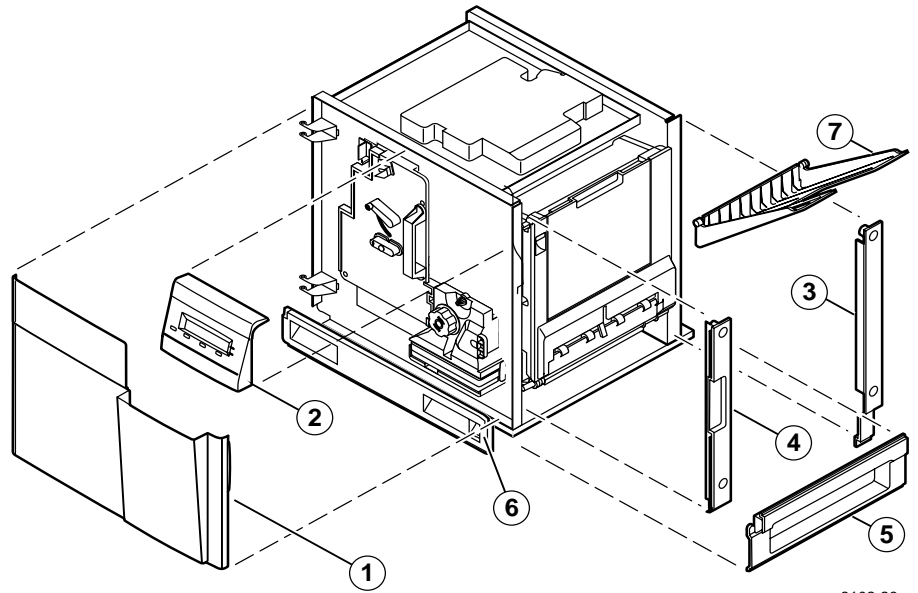
Quantity:
1

Description:
Upper front cover (operation panel) w/
display board



3102-26

Item:	Part Number:	Serial number:	Quantity:	Description:
3	118-9537-00		1	Right side cover rear



3102-26

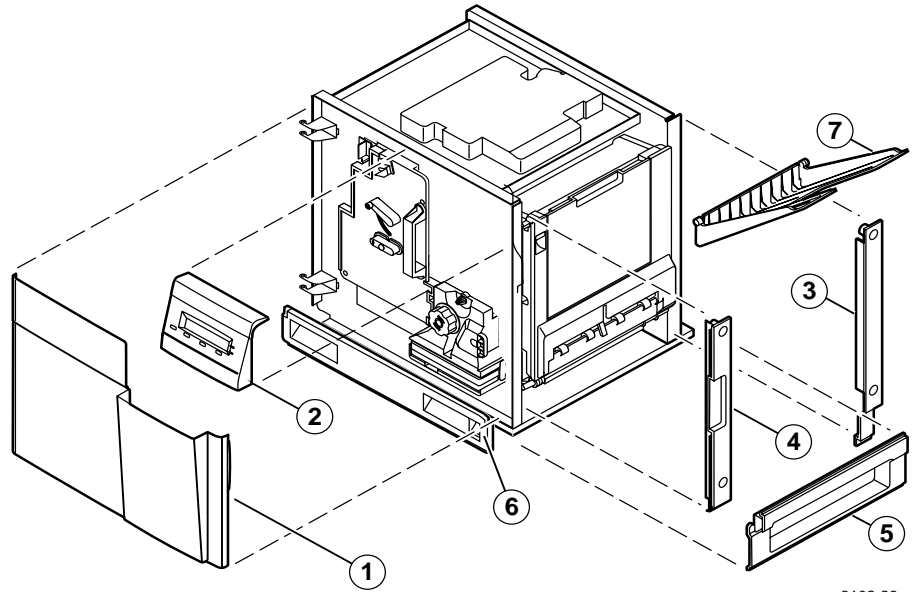
Item:
4

Part Number:
118-9208-00

Serial number:

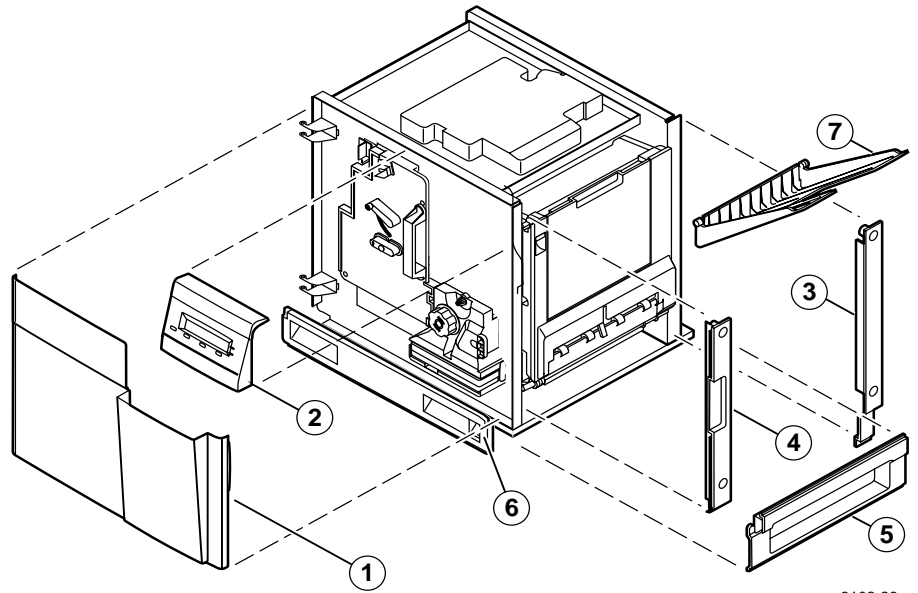
Quantity:
1

Description:
Right side cover front



3102-26

Item:	Part Number:	Serial number:	Quantity:	Description:
5	118-9894-00		1	Right side cover lower



3102-26

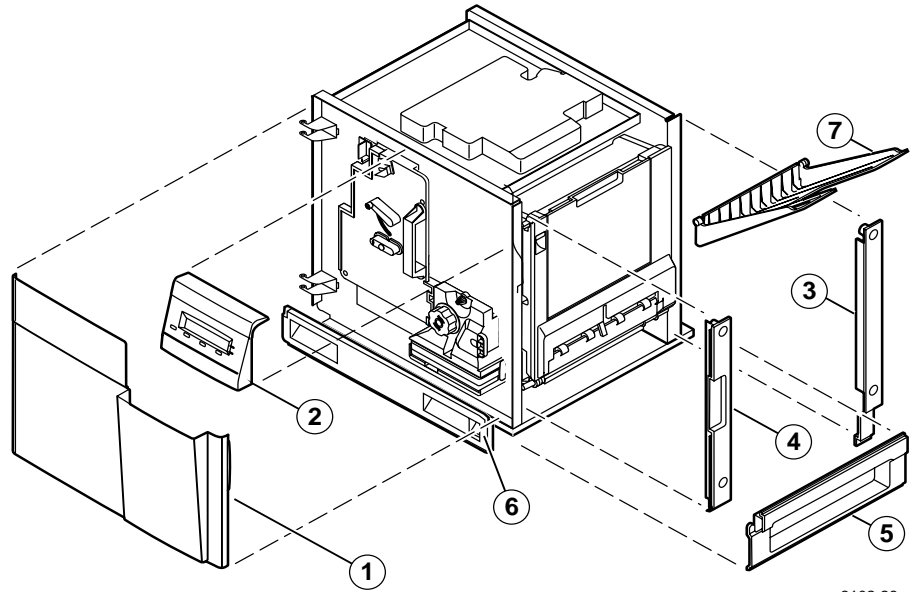
Item:
6

Part Number:
118-9541-00

Serial number:

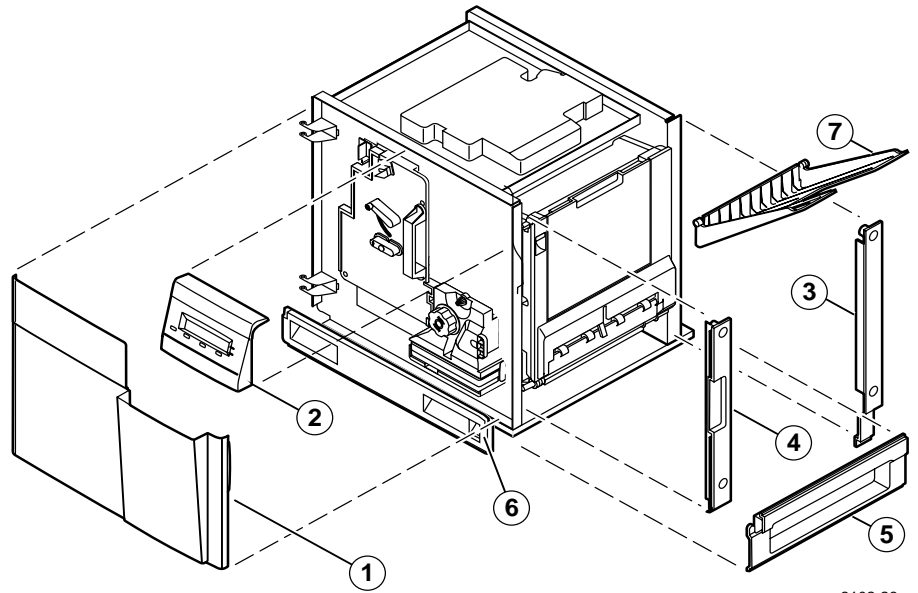
Quantity:
1

Description:
Bottom front cover



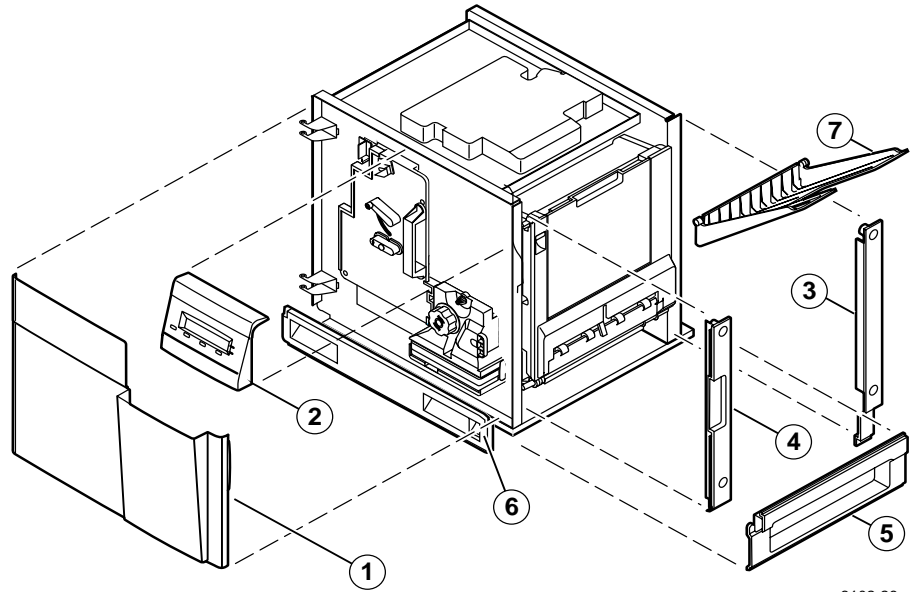
3102-26

Item: 7 **Part Number:** 116-0024-00 **Serial number:** **Quantity:** 1 **Description:** Output tray (standard)



3102-26

Item:	Part Number:	Serial number:	Quantity:	Description:
	118-9996-00		1	Lower feeder front cover



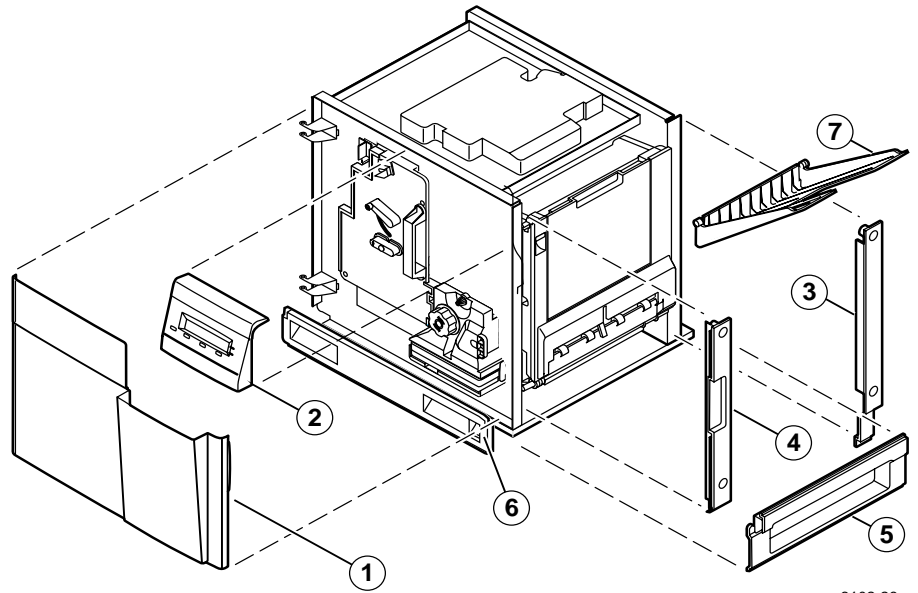
3102-26

Item: Part Number: Serial number: Quantity: Description:

118-9622-01

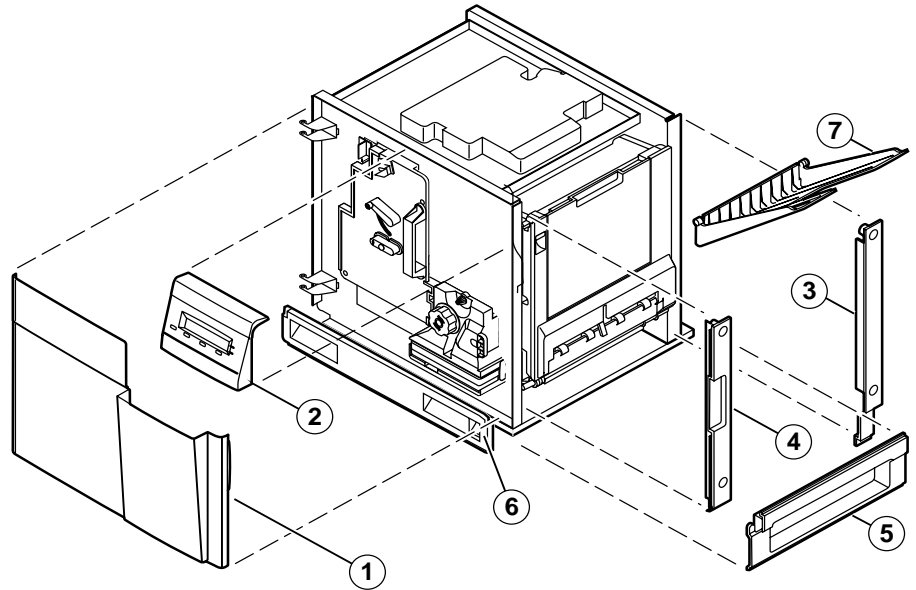
1

Lower feeder left cover



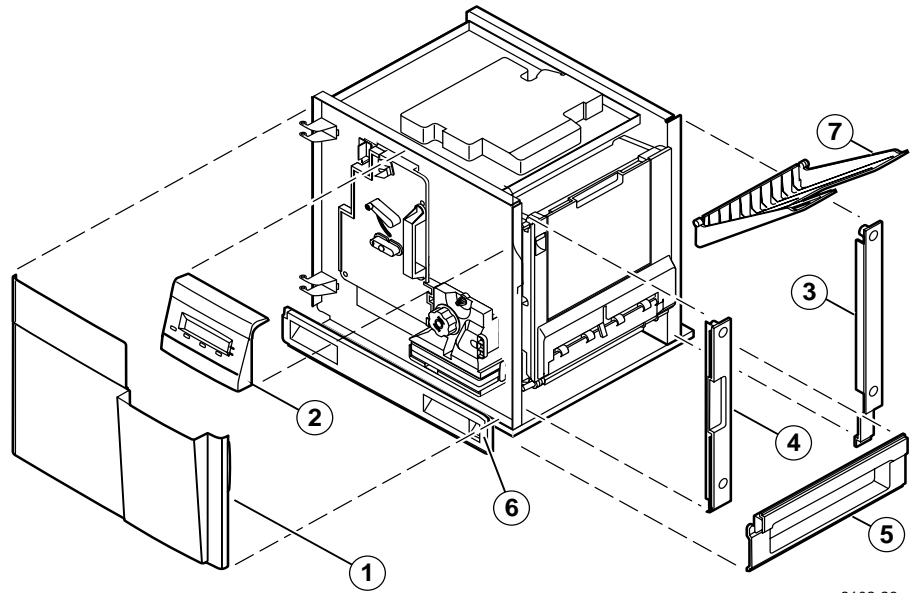
3102-26

Item: **Part Number:** **Serial number:** **Quantity:** **Description:**
118-9604-00 1 Lower feeder right cover



3102-26

Item:	Part Number:	Serial number:	Quantity:	Description:
	118-9606-00		1	Lower feeder rear cover



3102-26

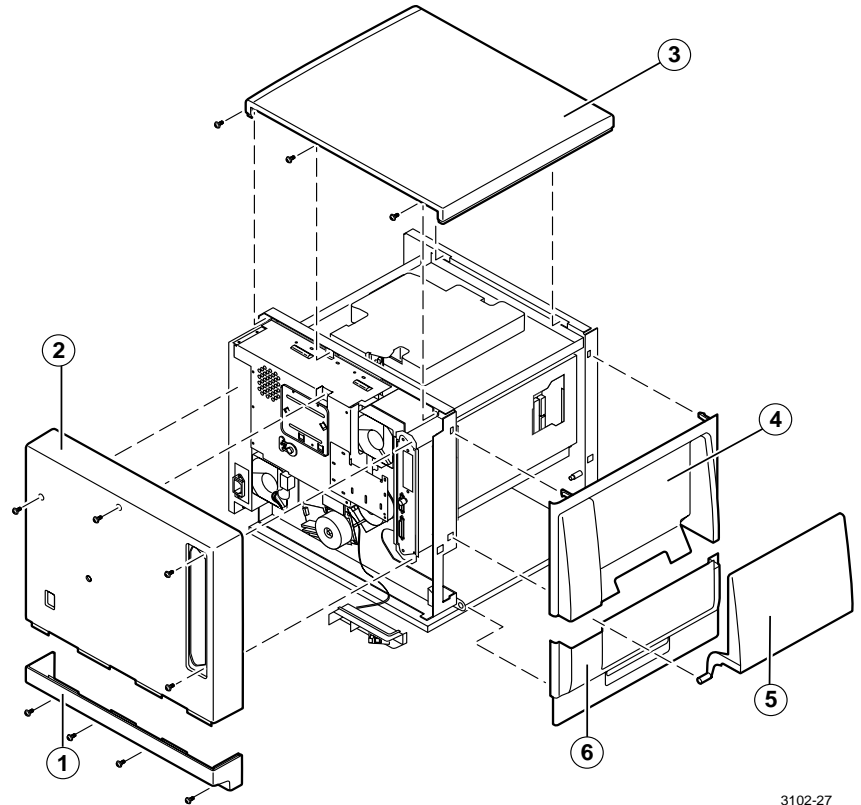
Item:
1

Part Number:
118-9891-00

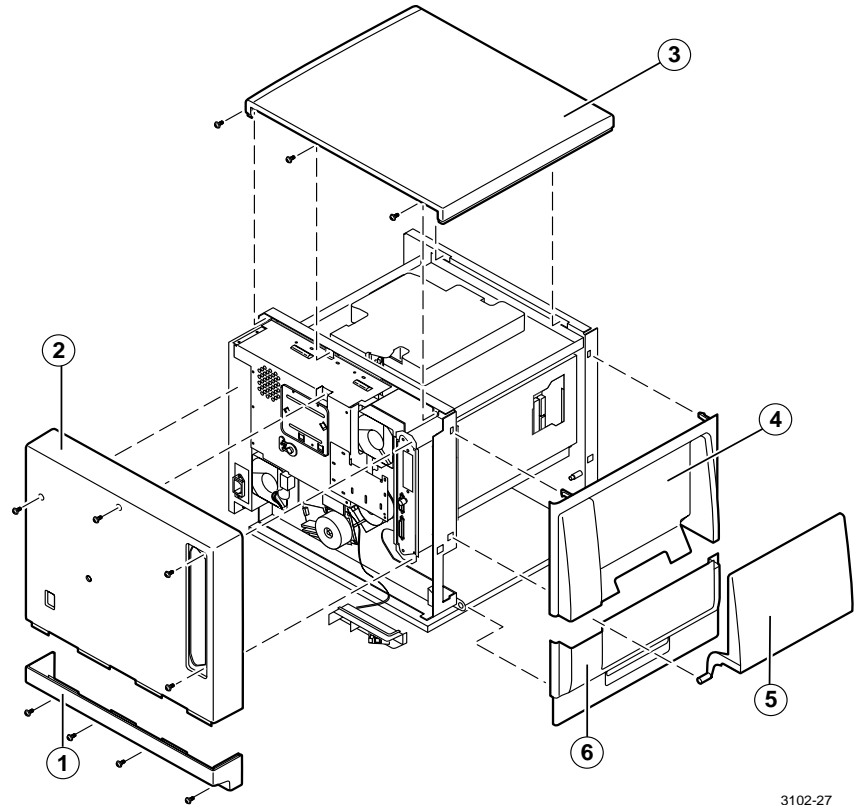
Serial number:

Quantity:
1

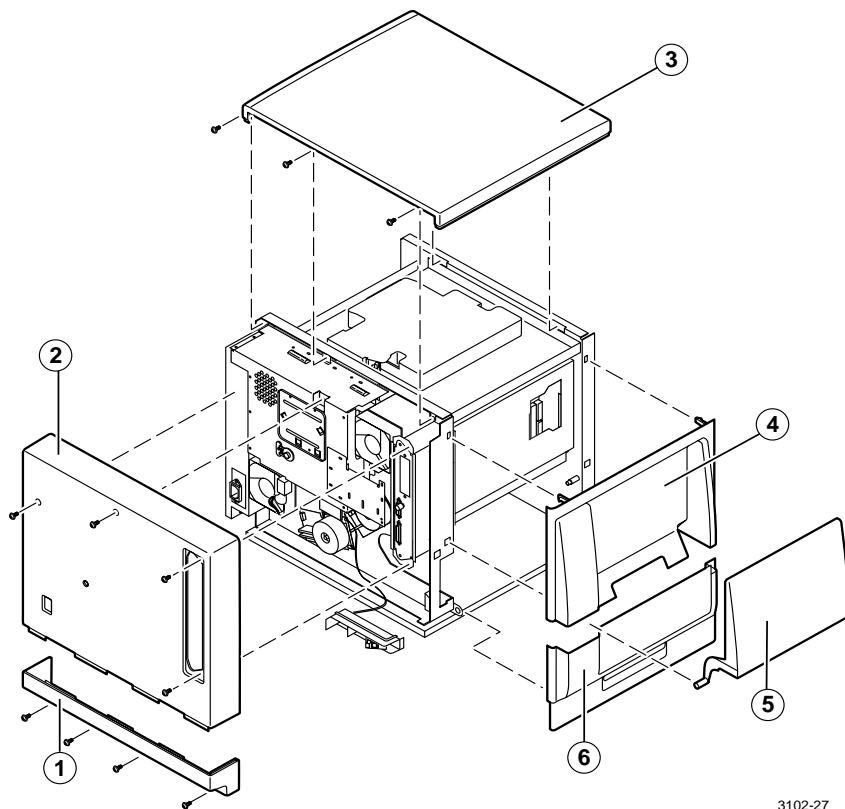
Description:
Lower rear cover



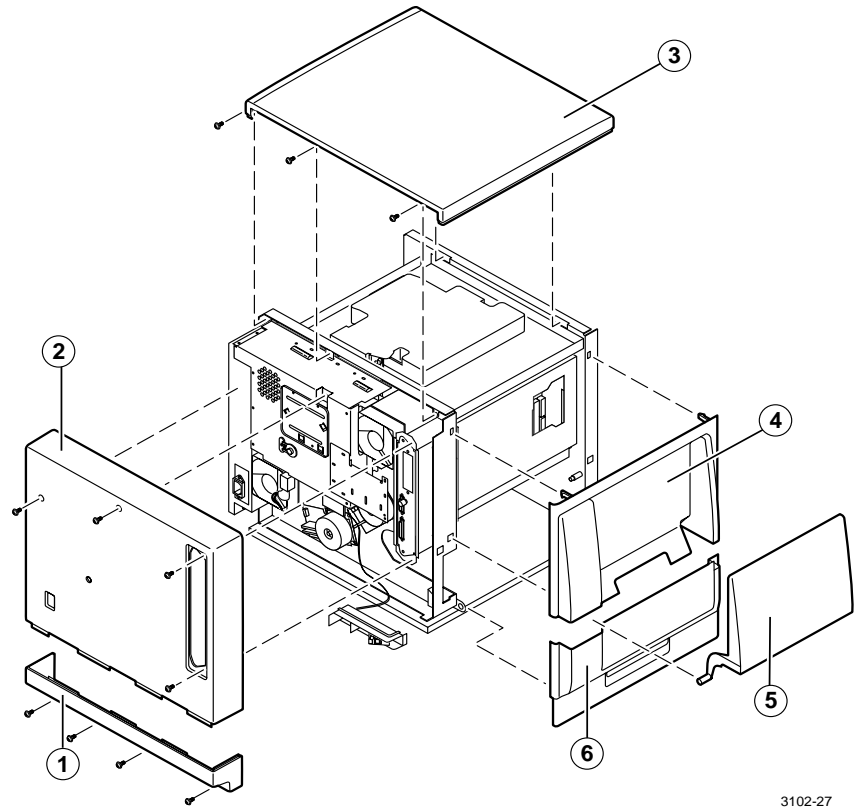
Item:	Part Number:	Serial number:	Quantity:	Description:
2	118-9889-00		1	Phaser 740
	118-9890-00		1	Upper rear cover (110 VAC)
	116-0850-00		1	Upper rear cover (220 VAC)
	116-0851-00		1	Phaser 750
			1	Upper rear cover (110 VAC)
			1	Upper rear cover (220 VAC)



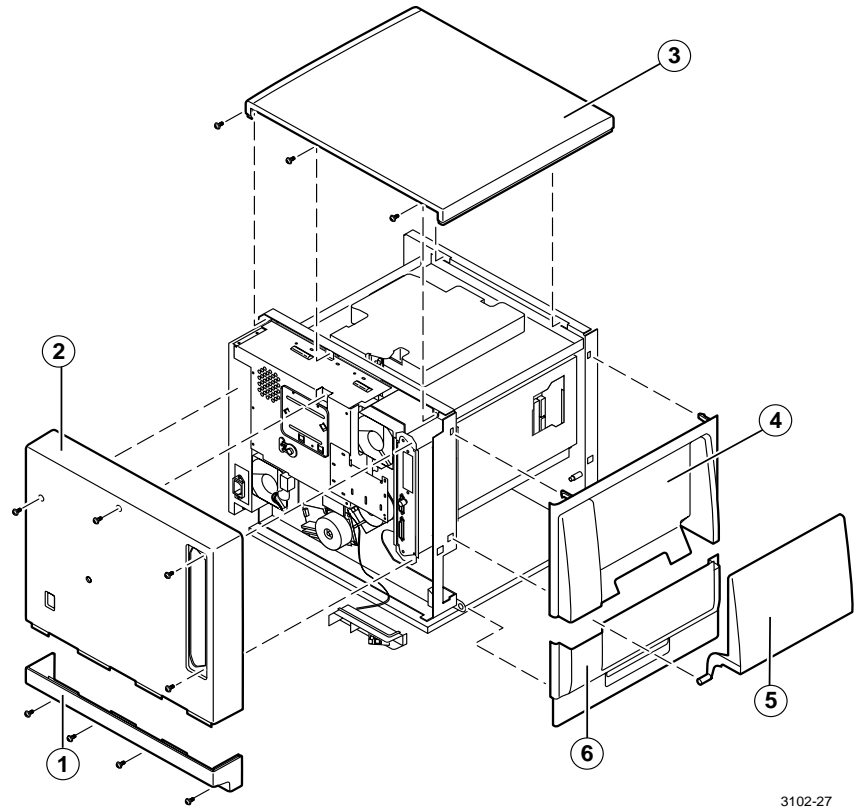
Item:	Part Number:	Serial number:	Quantity:	Description:
3	118-9888-00		1	Top cover with Phaser 740 logo
	116-0849-00		1	Top cover with Phaser 750 logo



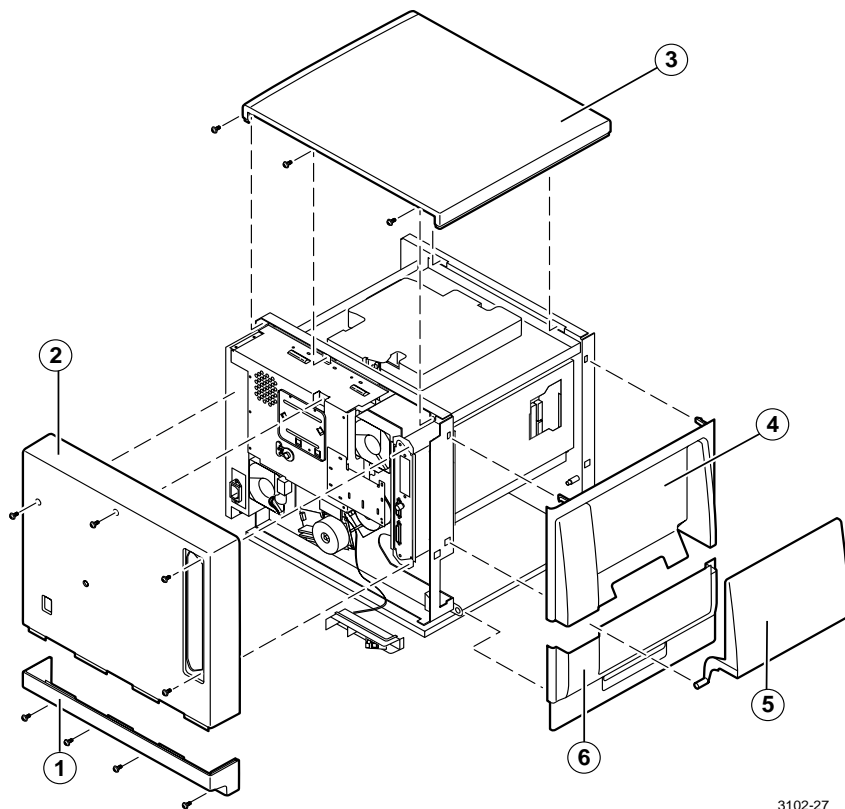
Item:	Part Number:	Serial number:	Quantity:	Description:
4	118-9979-00		1	Left side cover (Phaser 740)
	116-0853-00		1	Left side cover (Phaser 750)



Item: 5 **Part Number:** 118-9522-00 **Serial number:** **Quantity:** 1 **Description:** Multi-purpose feed tray assy

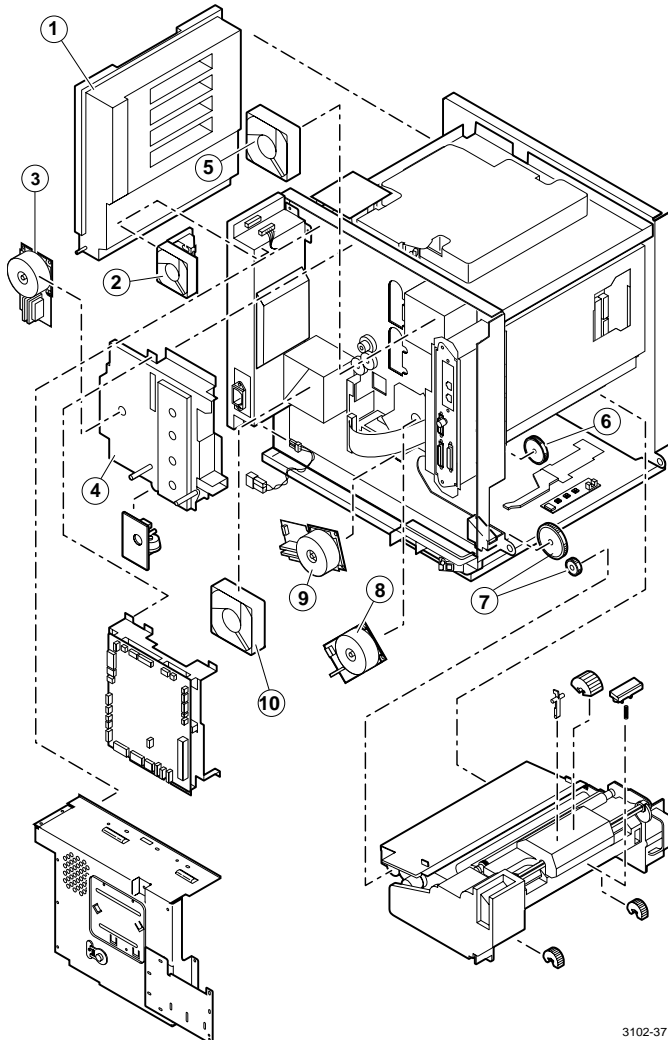


Item:	Part Number:	Serial number:	Quantity:	Description:
6	118-9543-00		1	Left side door Assy (Phaser 740)
	116-0939-00		1	Left side door Assy (Phaser 750)



Item: Part Number: Serial number:
 1 118-9897-00
 116-0856-00

Quantity: Description:
 1 Toner cartridge selector/ paper-eject unit
 (Phaser 740)
 1 Toner cartridge selector/ paper-eject unit
 (Phaser 750)



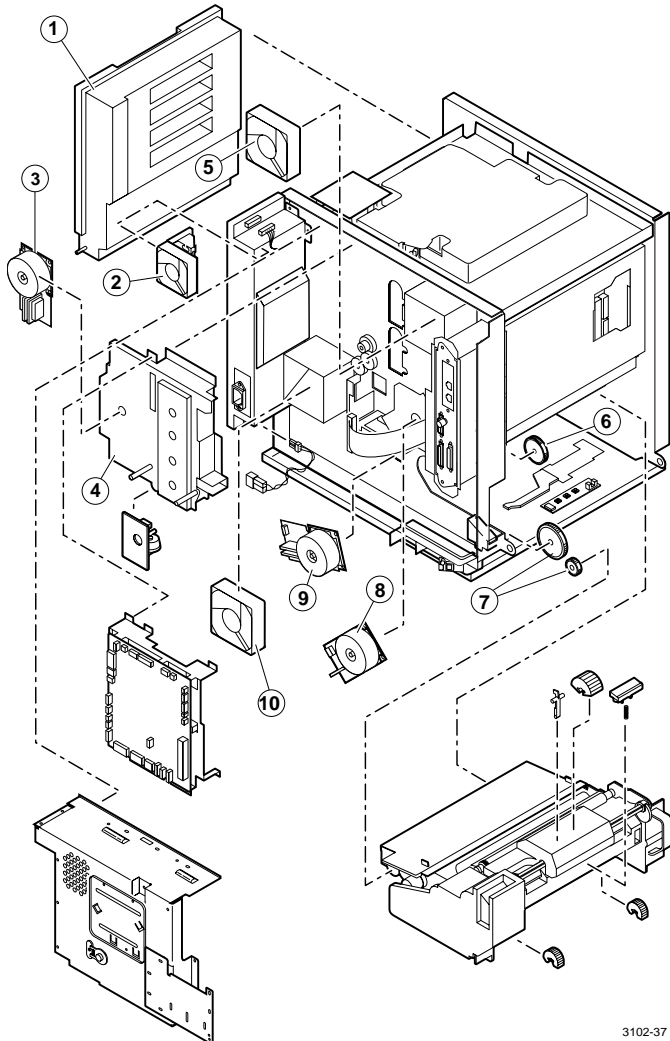
Item:
2

Part Number:
118-9551-00

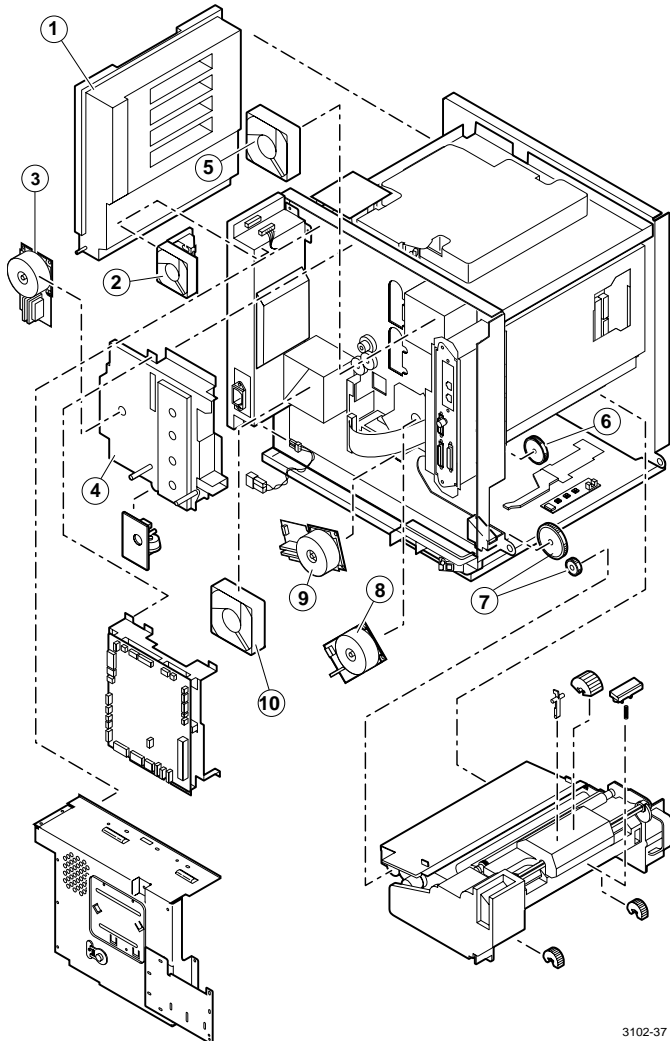
Serial number:

Quantity:
1

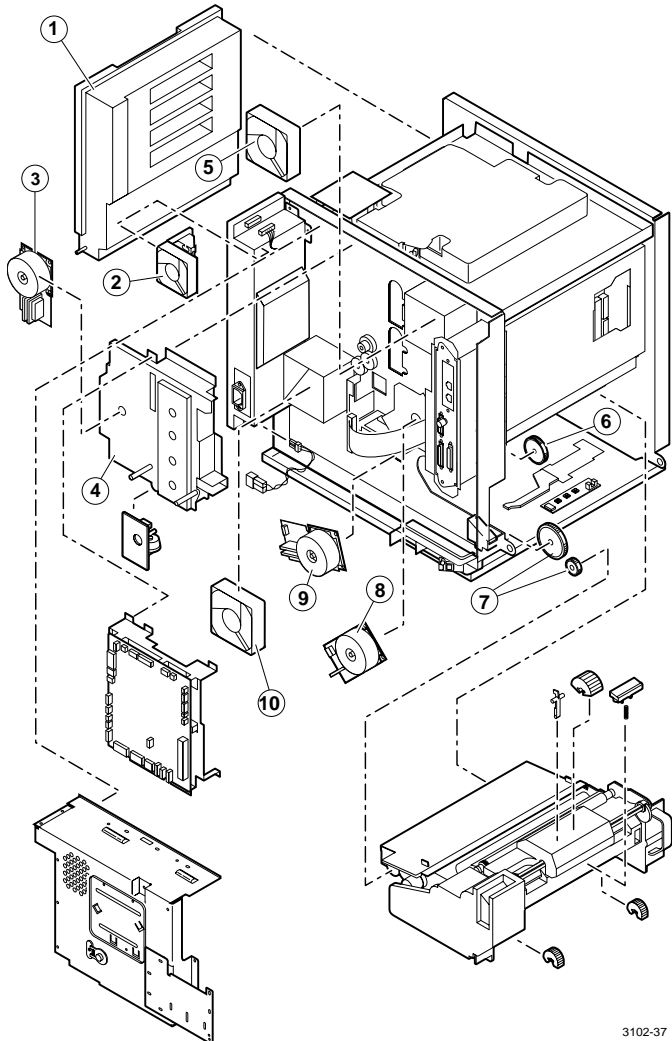
Description:
Fan, power supply



Item:	Part Number:	Serial number:	Quantity:	Description:
3	118-9905-00		1	Toner cartridge drive motor



Item:	Part Number:	Serial number:	Quantity:	Description:
4	118-9514-01		1	Toner cartridge drive unit



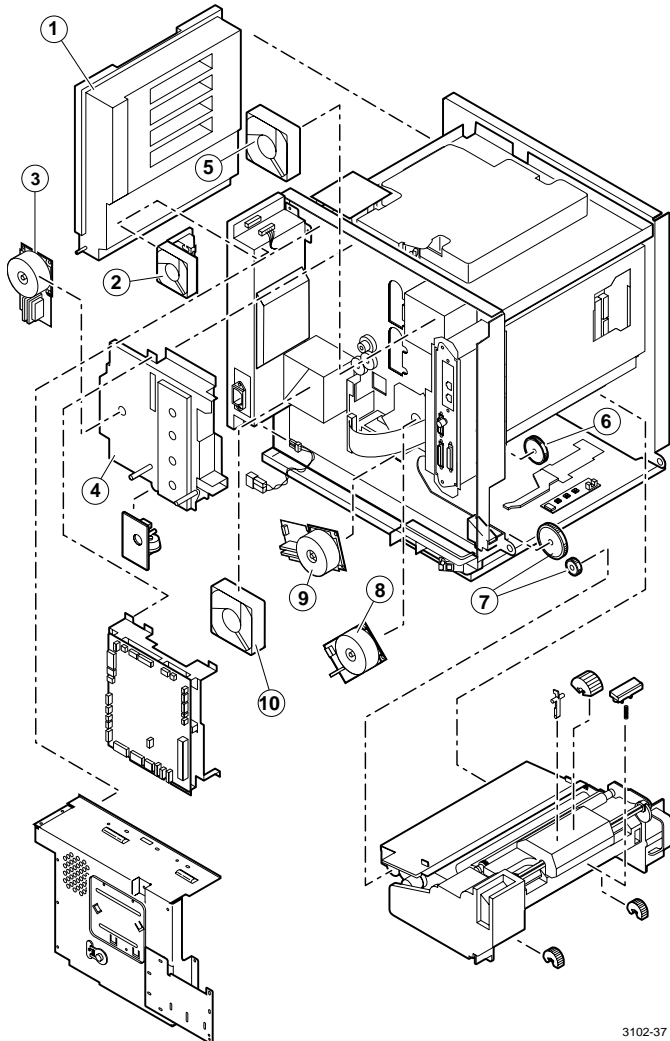
Item:
5

Part Number:
118-9524-00

Serial number:

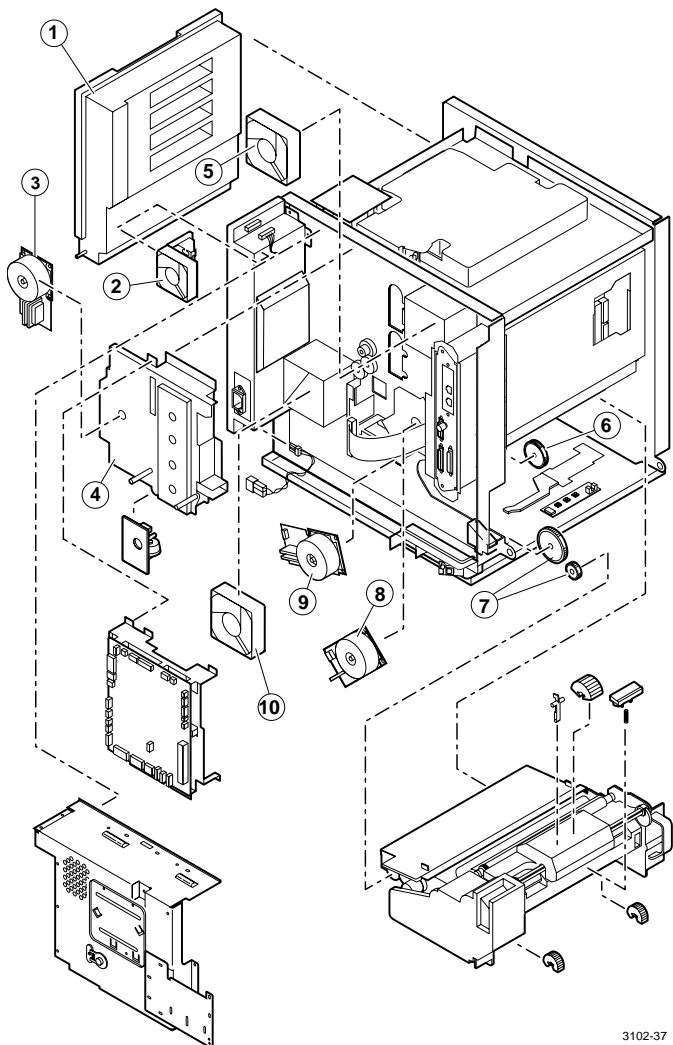
Quantity:
1

Description:
Fan, ozone filter



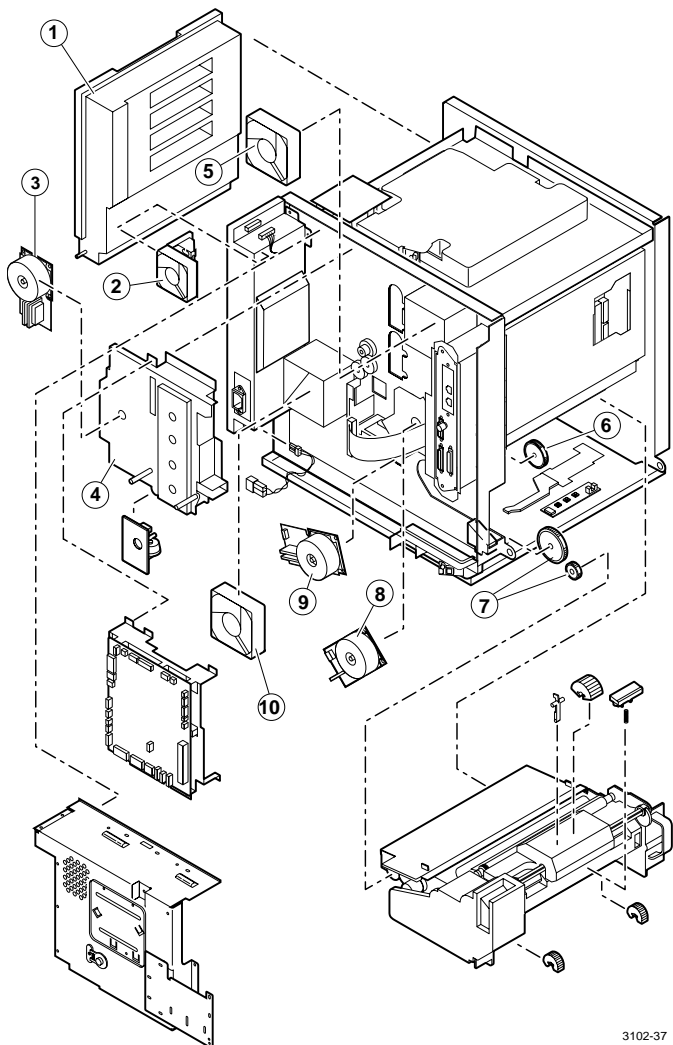
Item: 6
Part Number: 118-9553-00
Serial number:

Quantity: 1
Description:
Gear kit, Main motor drive
Motor compound gear
Intermediate compound gear



Item: 7
Part Number: 116-0940-00
Serial number:

Quantity: 1
Description: Gear kit, Paper feeder/fuser
White joint gear,
Black compound gear,
4 fuser gears

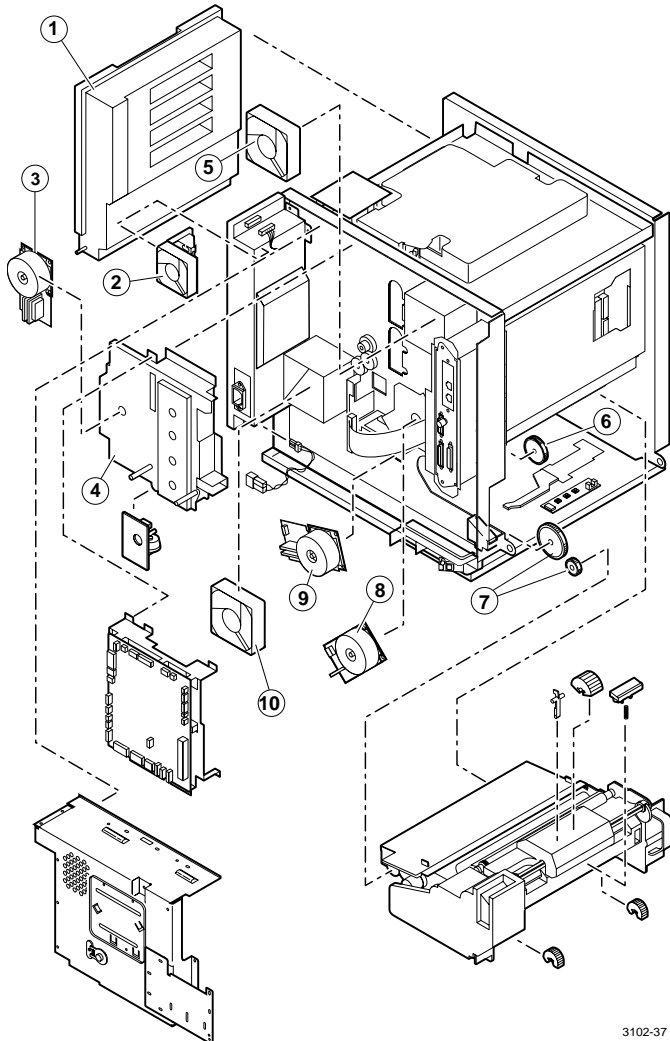


Item:
8

Part Number:
118-9900-00

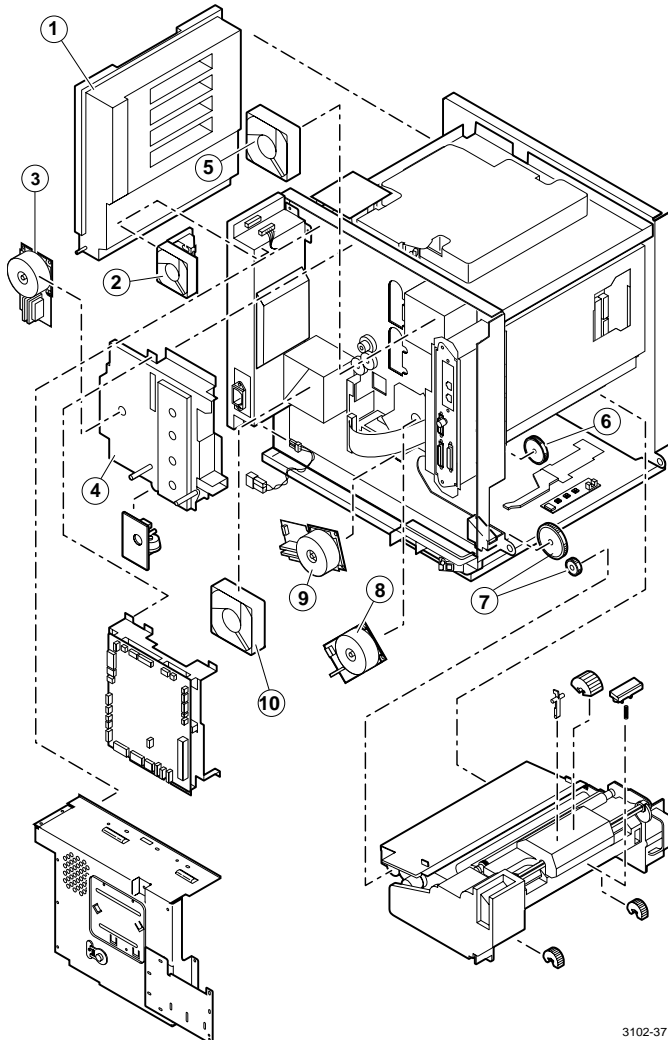
Serial number:

Quantity: 1
Description:
Main motor

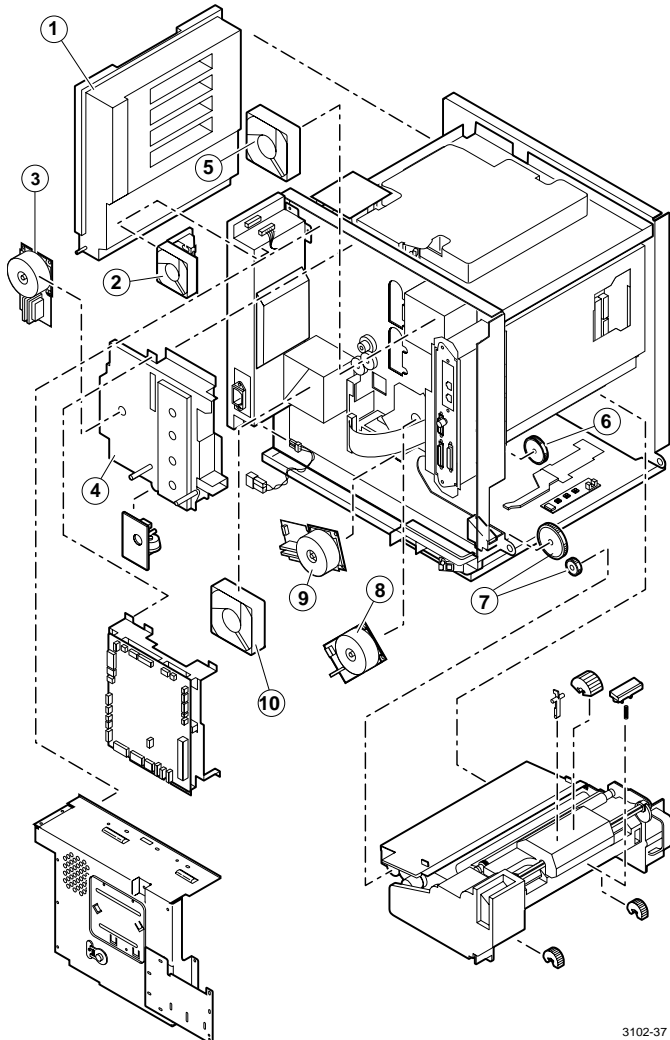


Item: 9
Part Number: 118-9899-00
116-0862-00
Serial number:

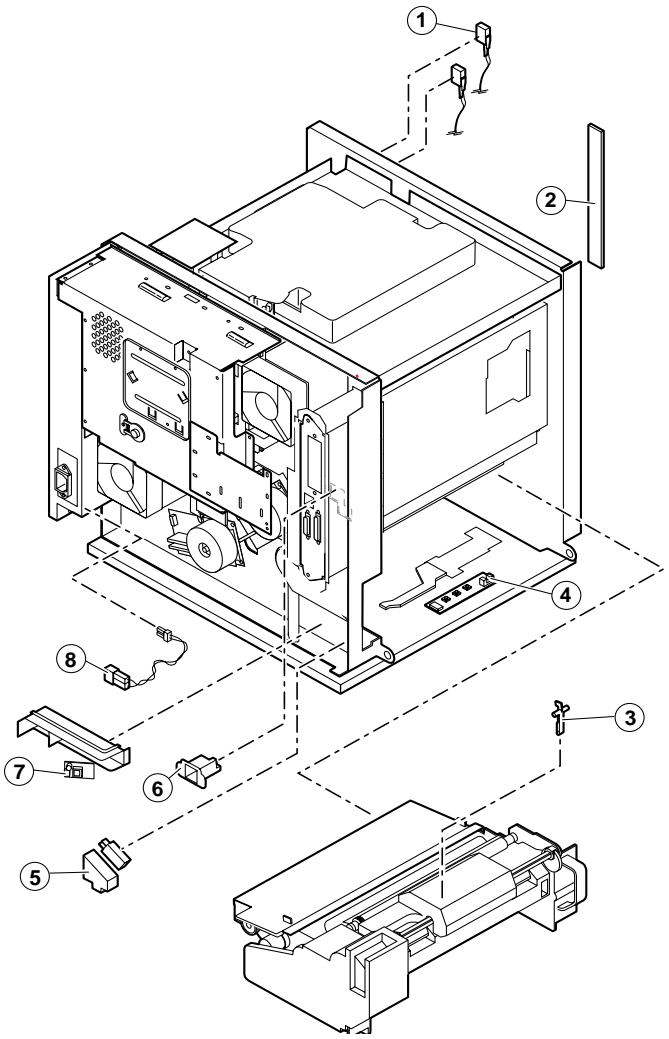
Quantity: 1
Description: Paper feed motor (Phaser 740)
paper feed motor (Phaser 750)



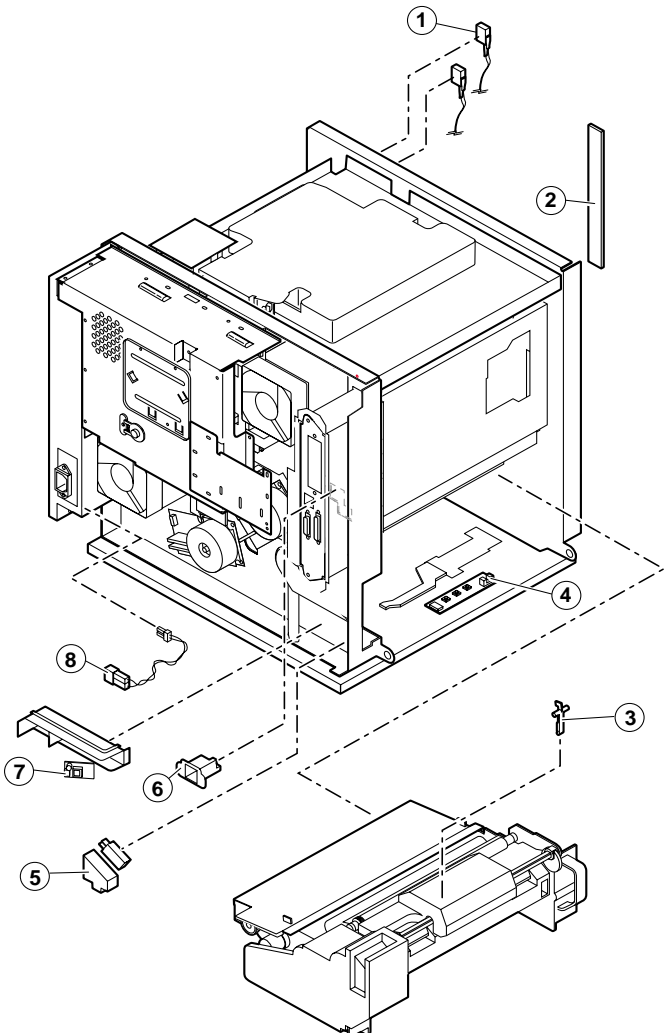
Item:	Part Number:	Serial number:	Quantity:	Description:
10	118-9524-00		1	Fan, fuser/toner cartridge



Item:	Part Number:	Serial number:	Quantity:	Description:
1	118-9552-00		1	Switch, front/right door open sensor

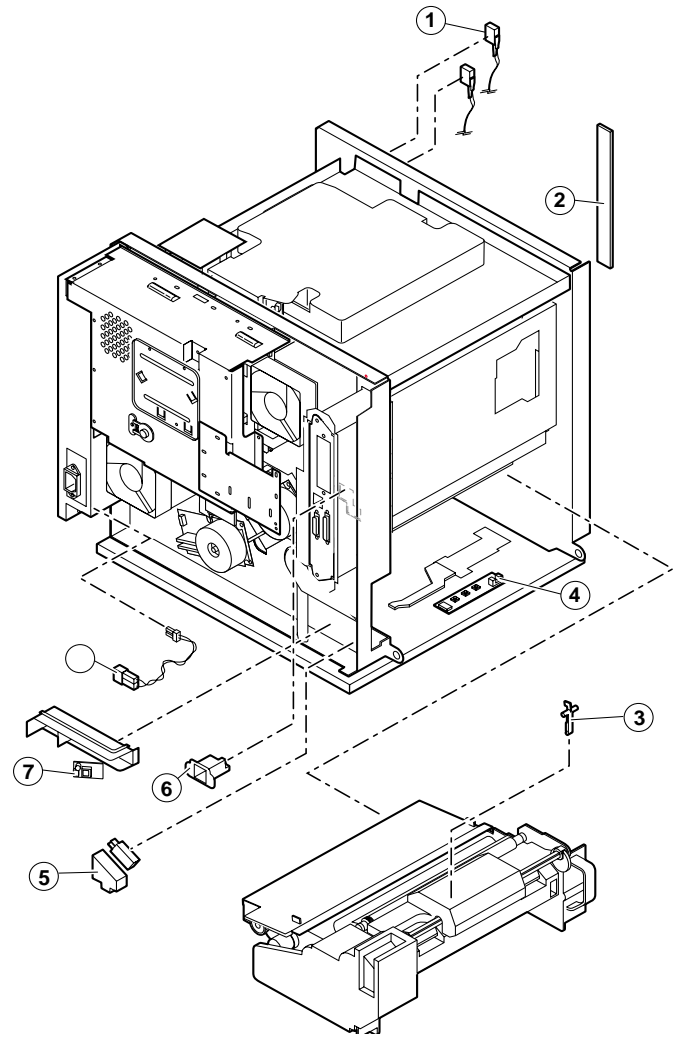


Item:	Part Number:	Serial number:	Quantity:	Description:
2	118-9547-00		1	Toner level sensor board

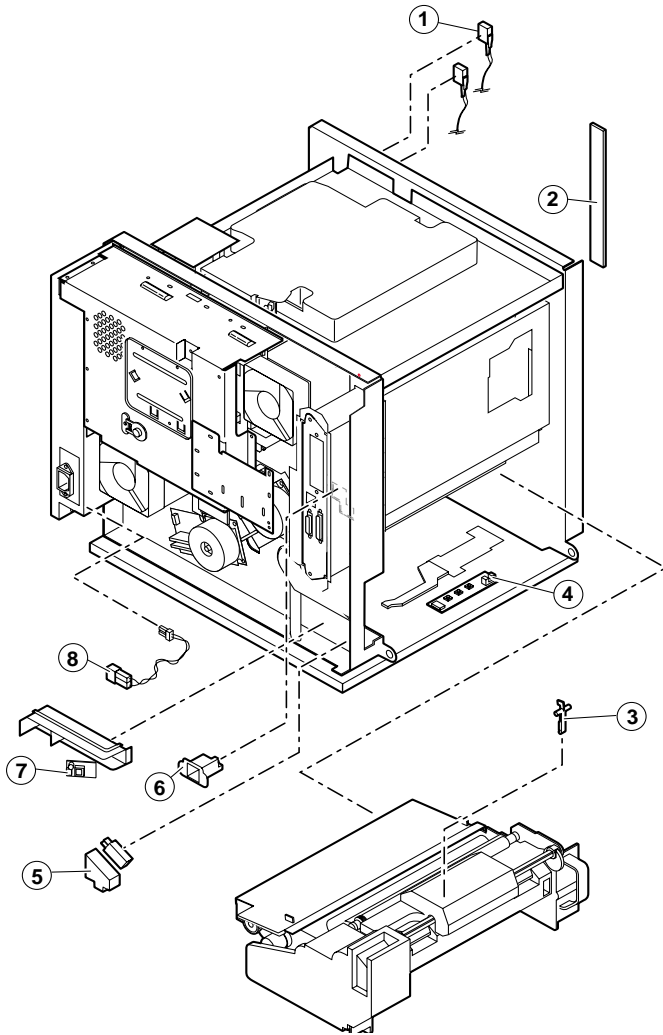


Item: 3
Part Number: 118-9558-00
Serial number:

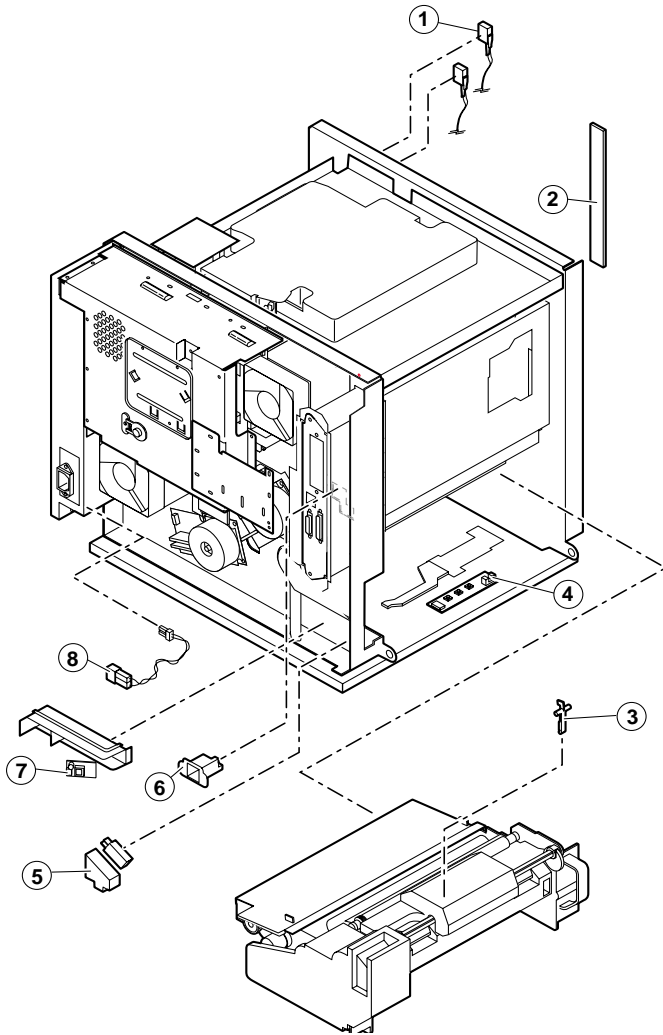
Quantity:
Description:
Paper feed flag kit
Paper tray empty
Multi-purpose tray entrance flag
Jam at A flag
Output tray full flag



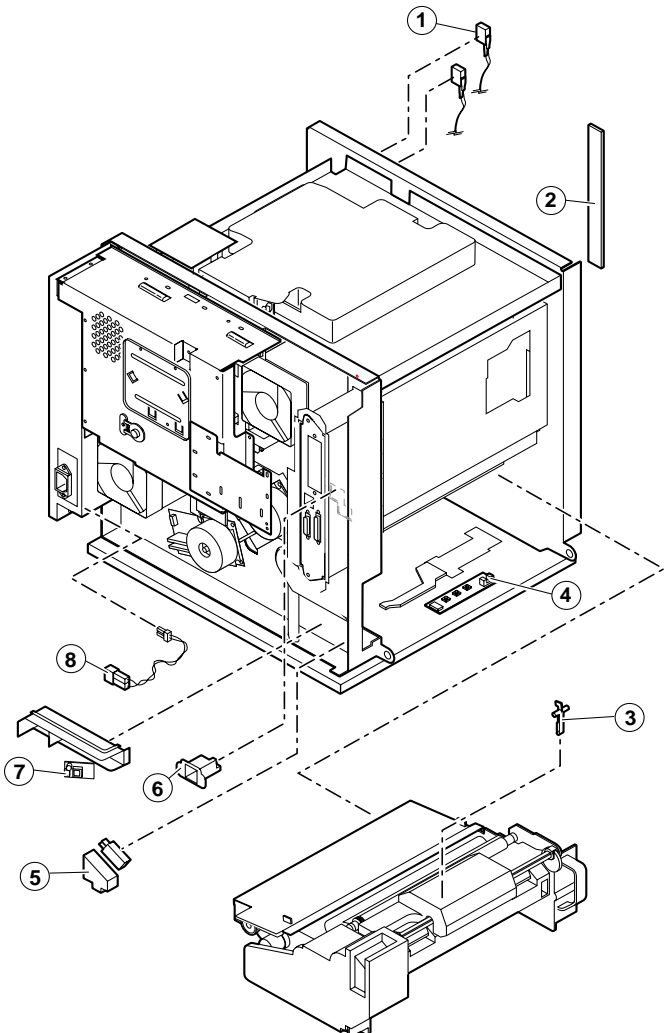
Item:	Part Number:	Serial number:	Quantity:	Description:
4	118-9913-00		1	Tray sensor board



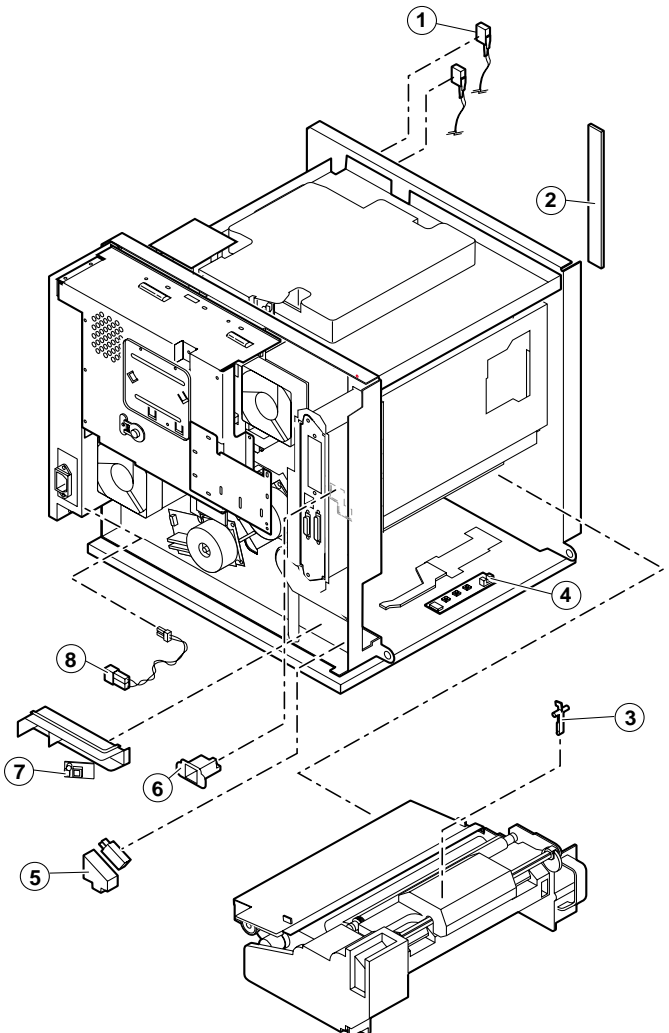
Item:	Part Number:	Serial number:	Quantity:	Description:
5	118-9550-00		1	Left-side door-open switch



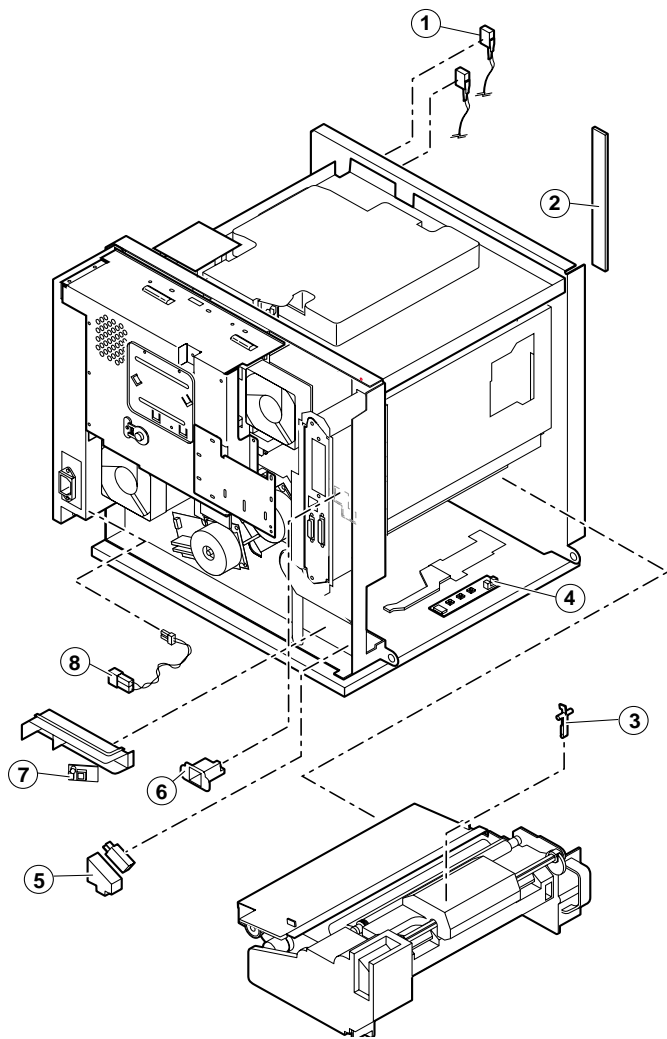
Item:	Part Number:	Serial number:	Quantity:	Description:
6	118-9519-00		1	Accumulator belt home-position sensor assembly



Item:	Part Number:	Serial number:	Quantity:	Description:
7	118-9918-00		1	Humidity/temperature sensor (Phaser 740)
	116-0854-00			Humidity/temperature sensor (Phaser 750)



Item:	Part Number:	Serial number:	Quantity:	Description:
8	118-9909-00		1	Switch, main power (110 V)
	118-9910-00		1	Switch, main power (220V)



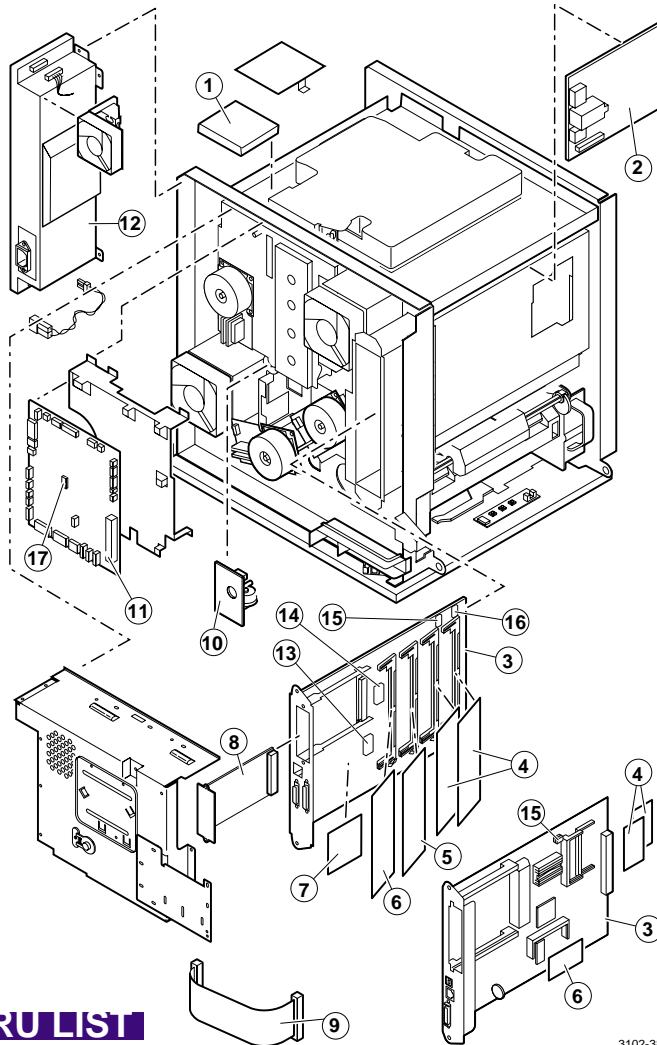
Item:
1

Part Number:
118-9978-00

Serial number:

Quantity:
1

Description:
Laser driver board, Phaser 740



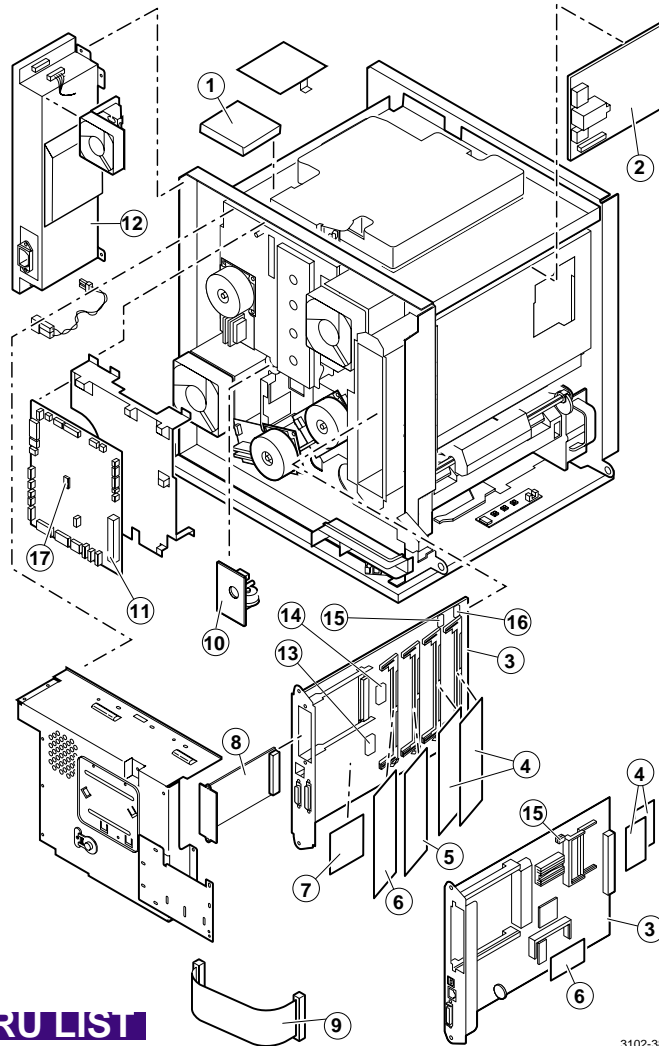
Item:
2

Part Number:
118-9898-00

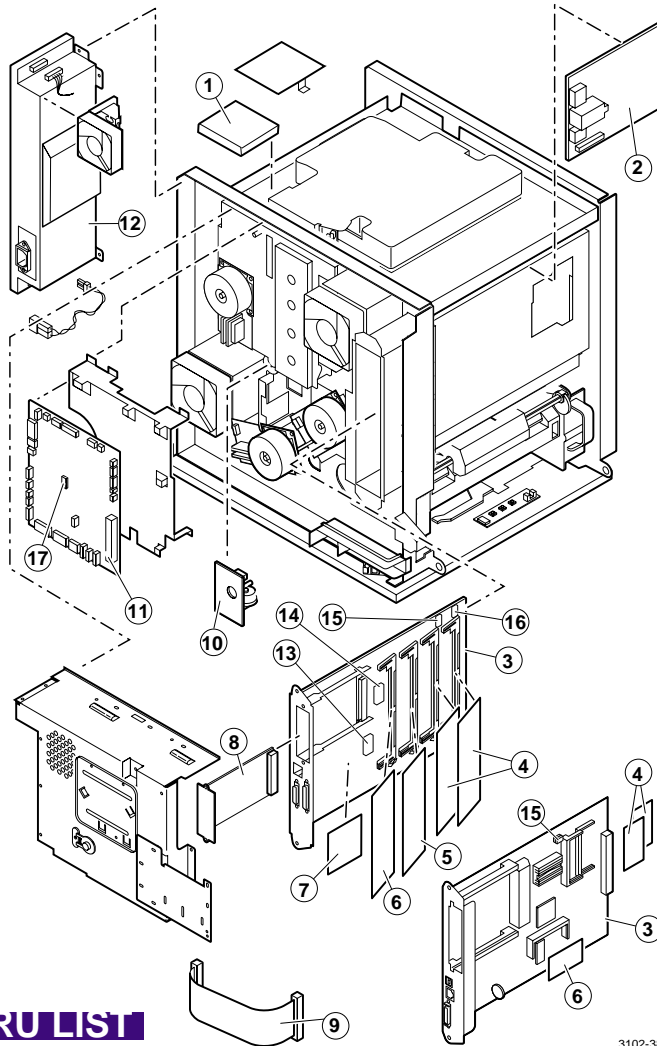
Serial number:

Quantity:
1

Description:
High-voltage board



Item:	Part Number:	Serial number:	Quantity:	Description:
3	671-4380-80		1	Image processing bd, Phaser 740
	671-4954-80		1	Image processing bd, Phaser 750



Item:
4

Part Number:

Serial number:

Quantity:

Description:

156-4758-10
156-4800-10
156-4811-10
156-4780-10

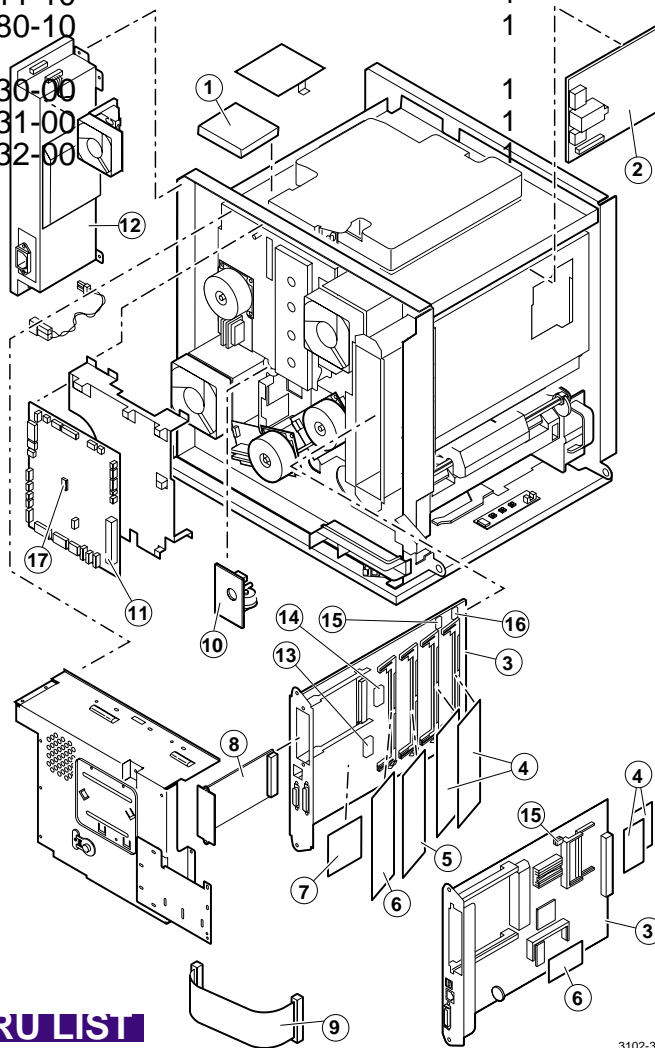
1
1
1
1

Phaser 740
16-Mbyte RAM DIMM
32-Mbyte RAM DIMM
64-Mbyte RAM DIMM
128-Mbyte RAM DIMM

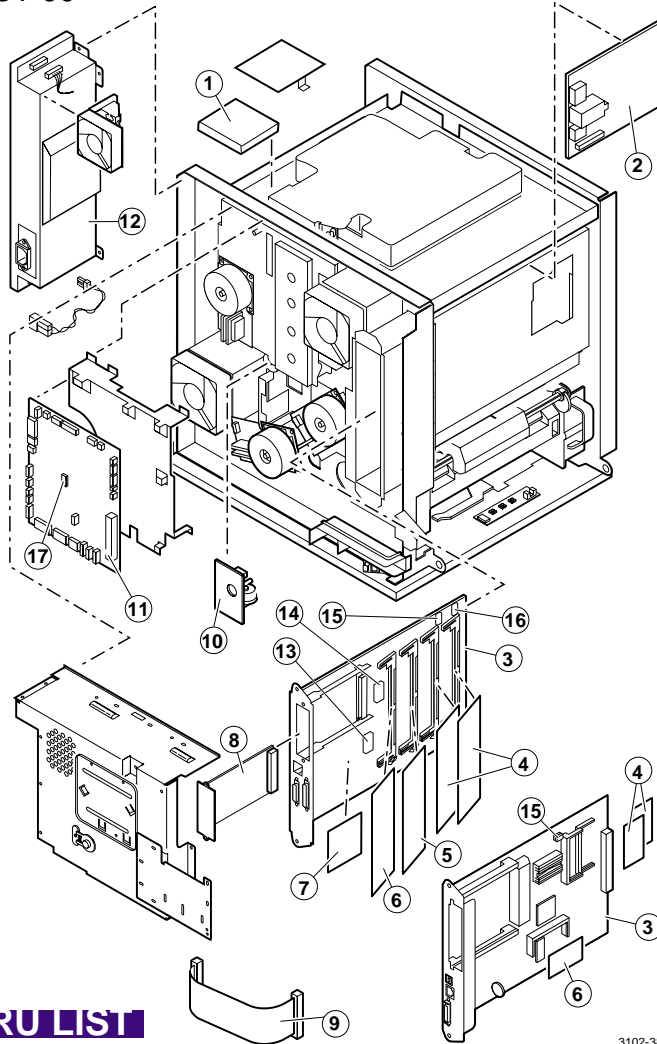
156-4836-00
156-4831-00
156-4832-00

1
1

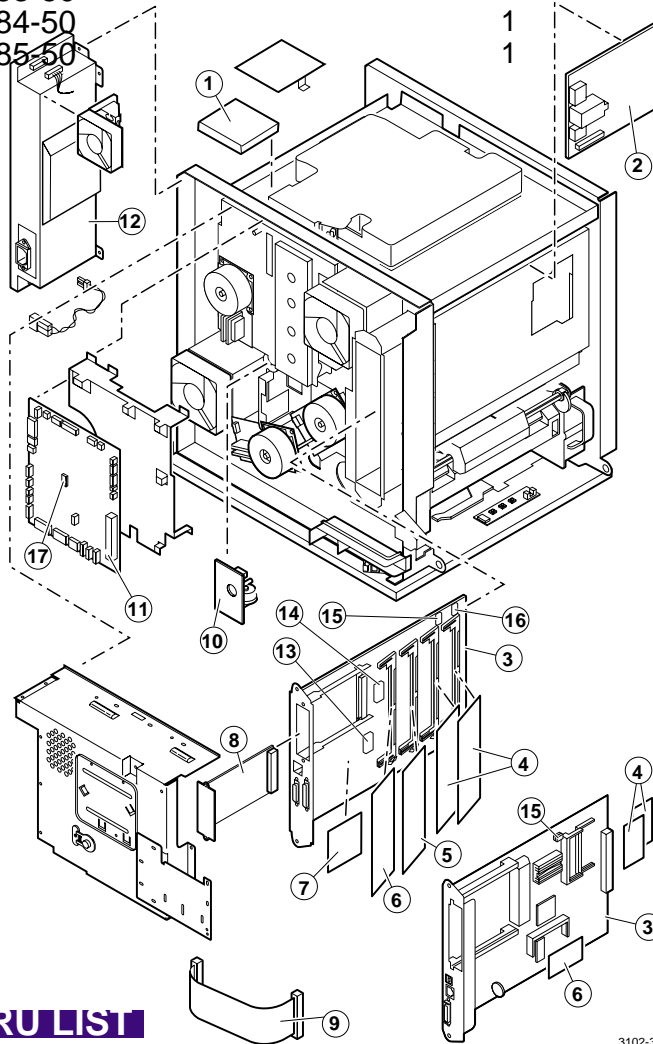
Phaser 750
32-Mbyte RAM SODIMM
64-Mbyte RAM SODIMM
128-Mbyte RAM SODIMM



Item:	Part Number:	Serial number:	Quantity:	Description:
5a	671-4519-00		1	Kanji Font DIMM, Phaser 740
5b	671-4527-00		1	Korean Font DIMM, Phaser 740
5c	671-4230-00		1	Simplified Chinese Font DIMM, P740
5d	671-4231-00		1	Traditional Chinese Font DIMM, P740



Item:	Part Number:	Serial number:	Quantity:	Description:
6a	671-4669-52		1	Code ROM DIMM, Z740L,
6b	671-4671-52		1	Code ROM DIMM, 740 Base, Plus
6c	671-4670-52		1	Code ROM DIMM, 740 Extended
	671-5183-50		1	Code ROM DIMM, 750N
	671-5184-50		1	Code ROM DIMM, 750P/DP/DX
	671-5185-50		1	Code ROM DIMM, Kanji P750



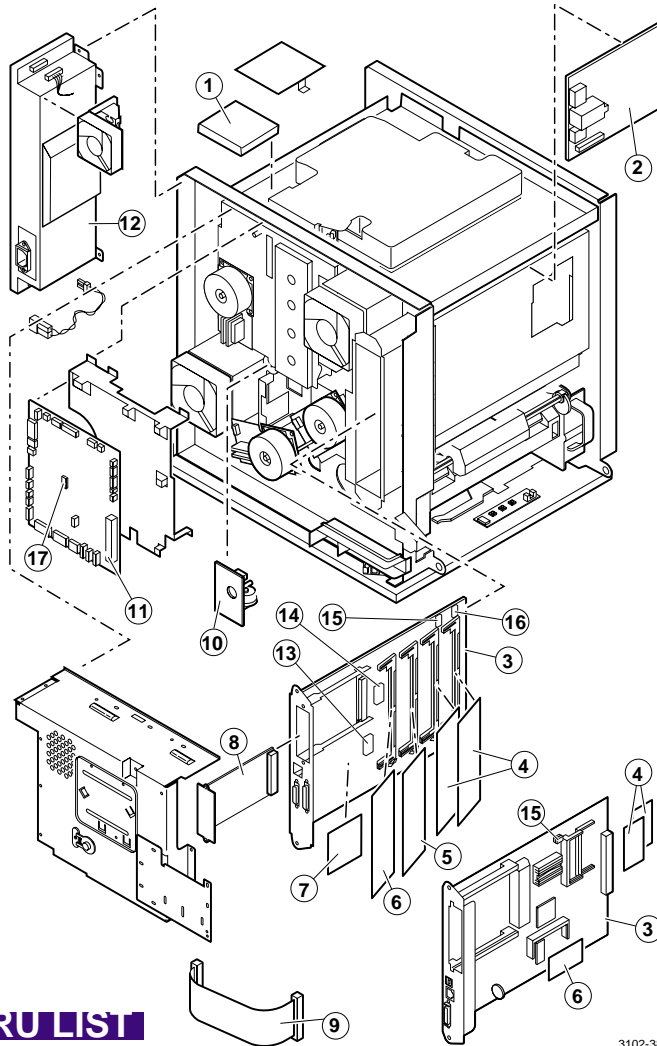
Item:
7

Part Number:
671-4306-50

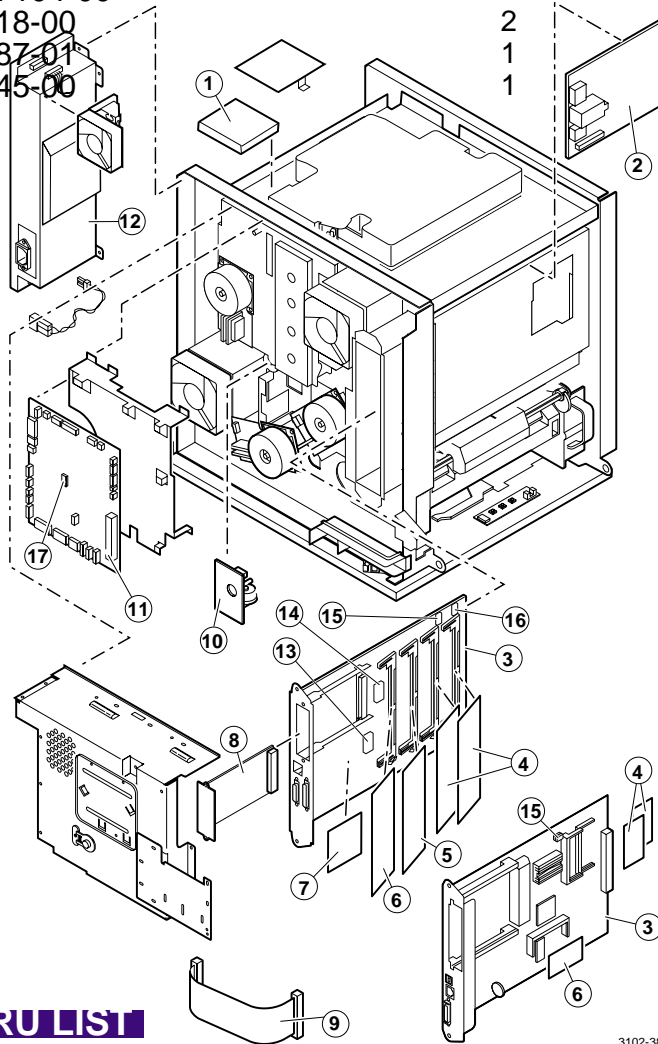
Serial number:

Quantity:

Description:
SCSI riser board, Phaser 740 only



Item:	Part Number:	Serial number:	Quantity:	Description:
8a	671-3994-00		1	10/100BaseT Ethernet card, 740 only
8b	671-4034-00		1	LocalTalk network card, 740 only
8c	671-3932-		1	Token Ring network card
8d	50386-7104-00		1	Blank cover plate (no card)
	213-1118-00		2	Blank cover plate thumbscrews
8e	650-3887-01		1	Internal IDE hard drive, P740 only
	650-4145-00		1	Internal IDE hard drive, P750 only



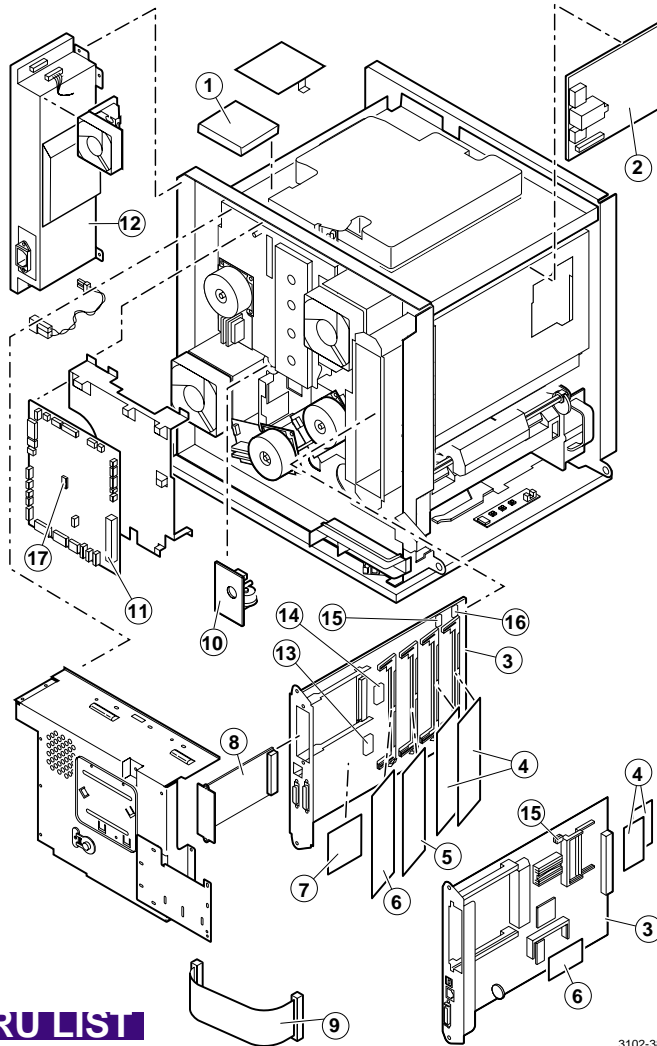
Item:
9

Part Number:
118-9559-00
116-0861-00

Serial number:

Quantity:
1
1

Description:
Cable, IP to engine board, P740
Cable, IP to engine board, P750



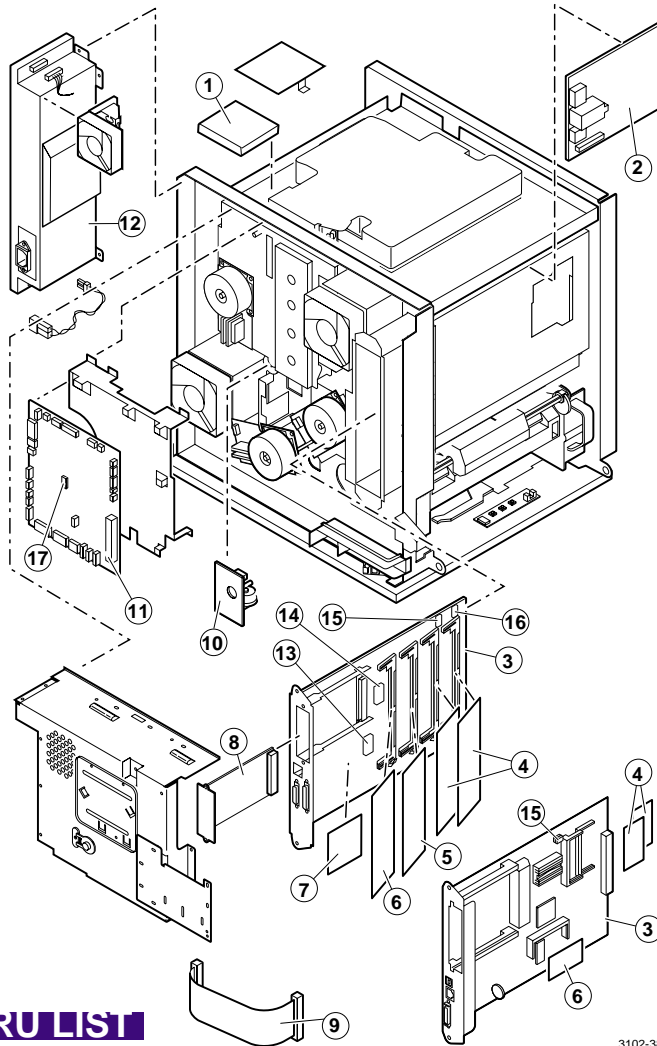
Item:
10

Part Number:
118-9527-00

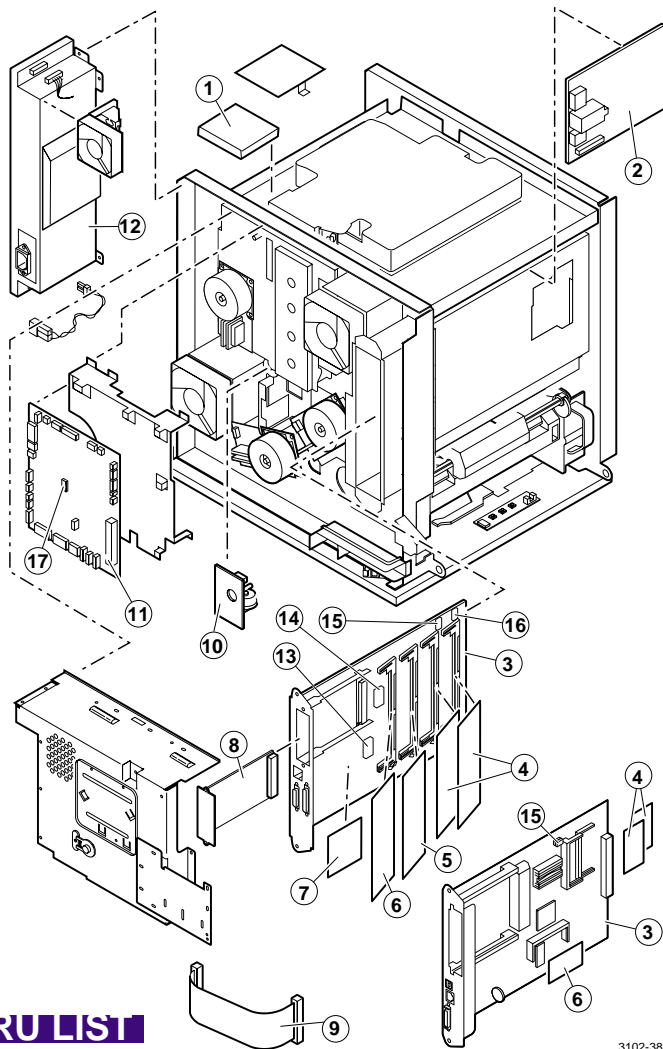
Serial number:

Quantity:
1

Description:
Cleaning board



Item:	Part Number:	Serial number:	Quantity:	Description:
11	118-9903-00		1	Engine control board (without NVRAM chip), Phaser 740
	116-0855-00		1	Engine control board (without NVRAM chip), Phaser 750



Item:
12

Part Number: Serial number:

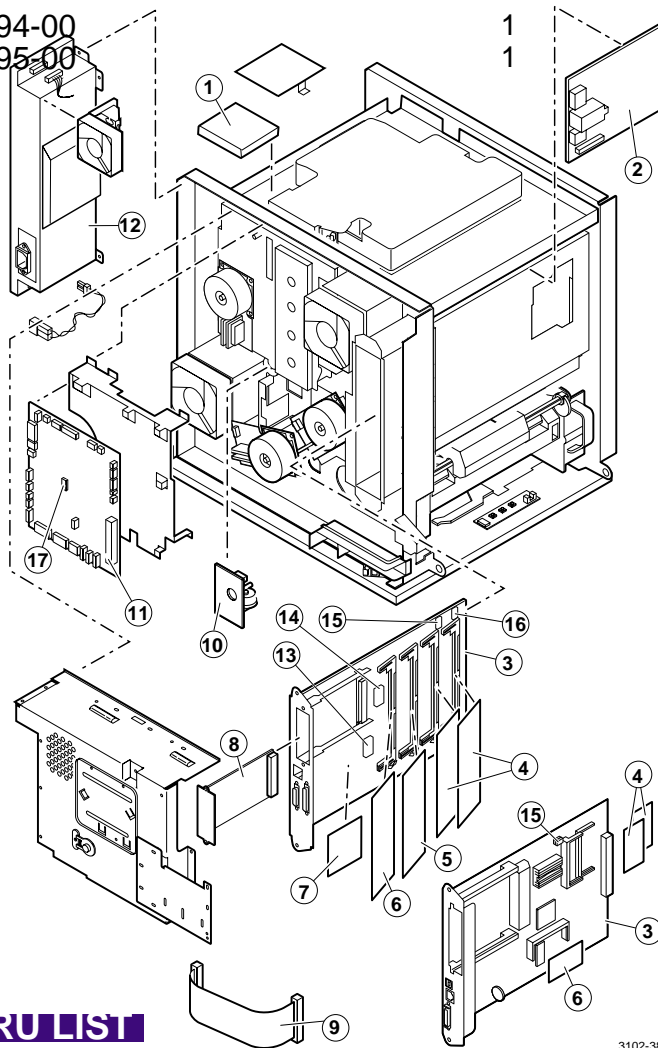
Quantity: Description:

119-5924-00
119-5925-00

1 Phaser 740
1 Power supply (100 - 120 VAC)
1 Power supply (220 VAC)
1 Phaser 750

119-6294-00
119-6295-00

1 Power supply (100 - 120 VAC)
1 Power supply (220 VAC)



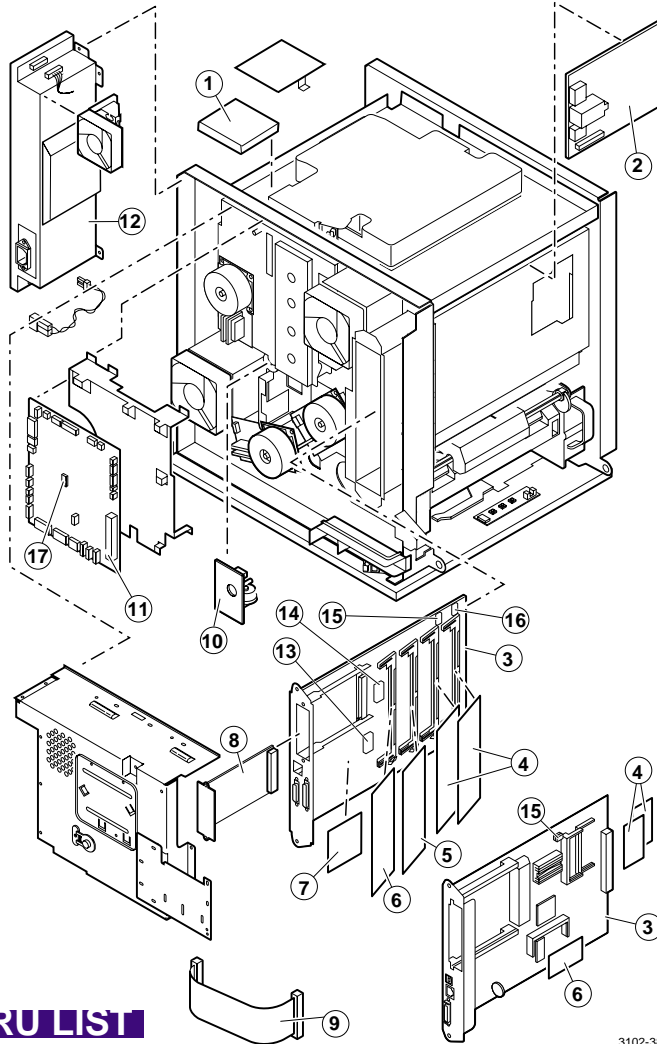
Item:
13

Part Number:
650-3886-01

Serial number:

Quantity:
1

Description:
Dallas Real Time Clock/NVRAM Module
(Phaser 740 only)



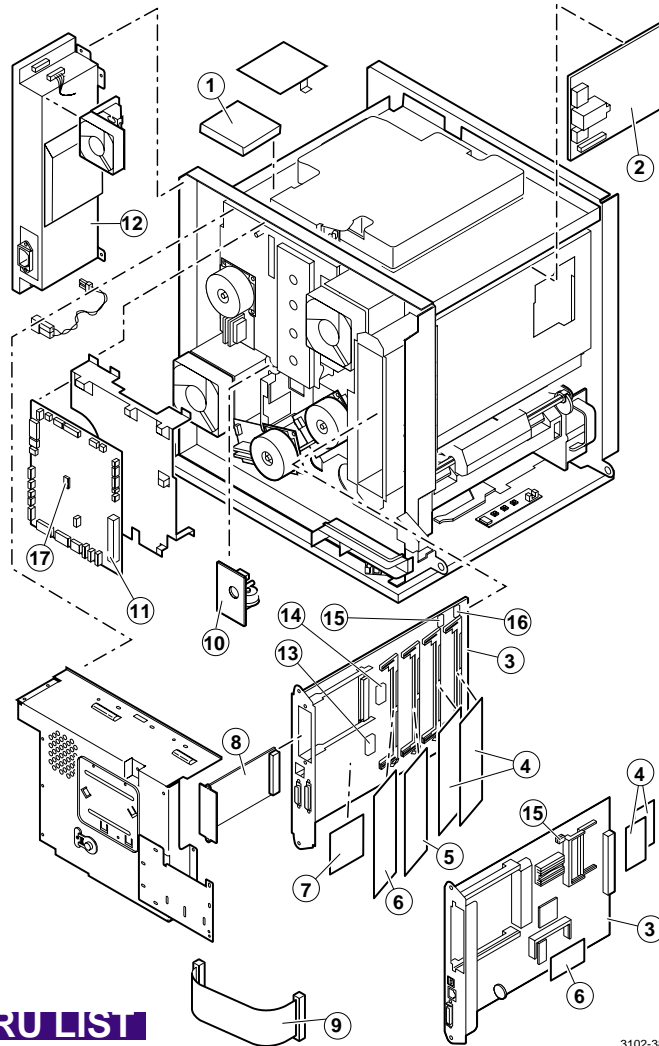
Item:
15

Part Number:
156-4768-00
163-1217-00

Serial number:

Quantity:
1
1

Description:
IP NVRAM EEPROM, Phaser 740
IP NVRAM EEPROM, Phaser 750



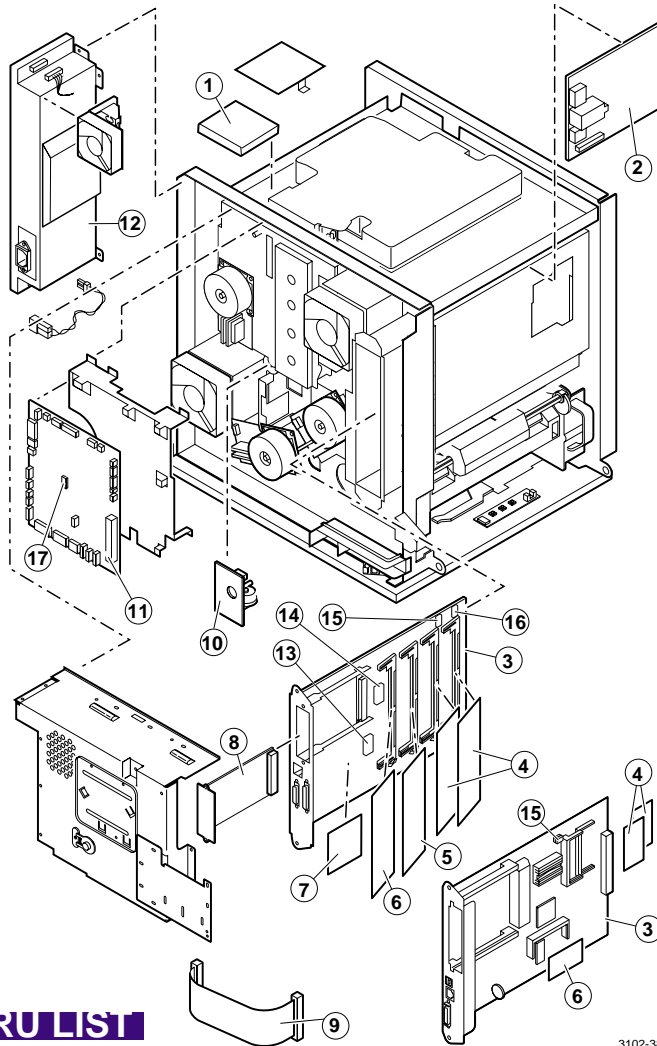
Item:
16

Part Number:
163-1147-01

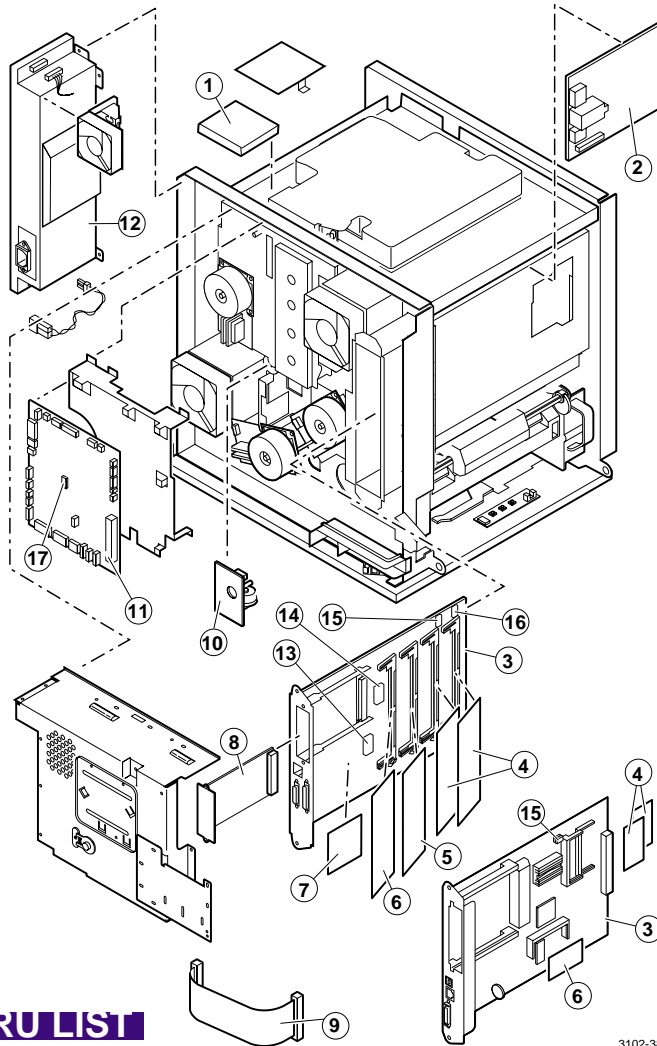
Serial number:

Quantity:
1

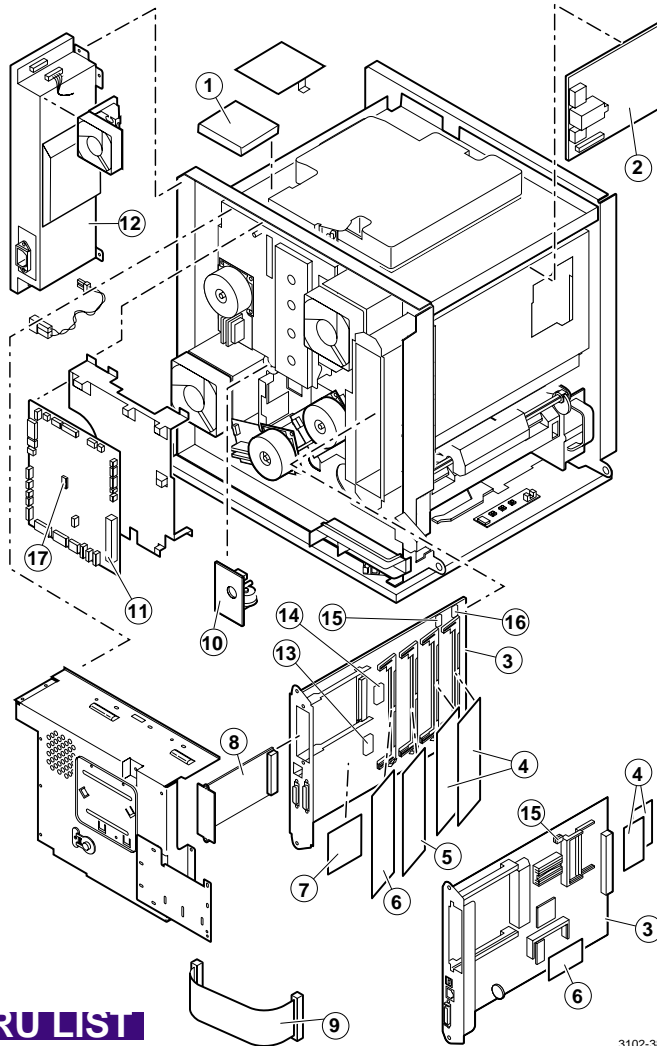
Description:
BootROM/Printer ID, P740 only



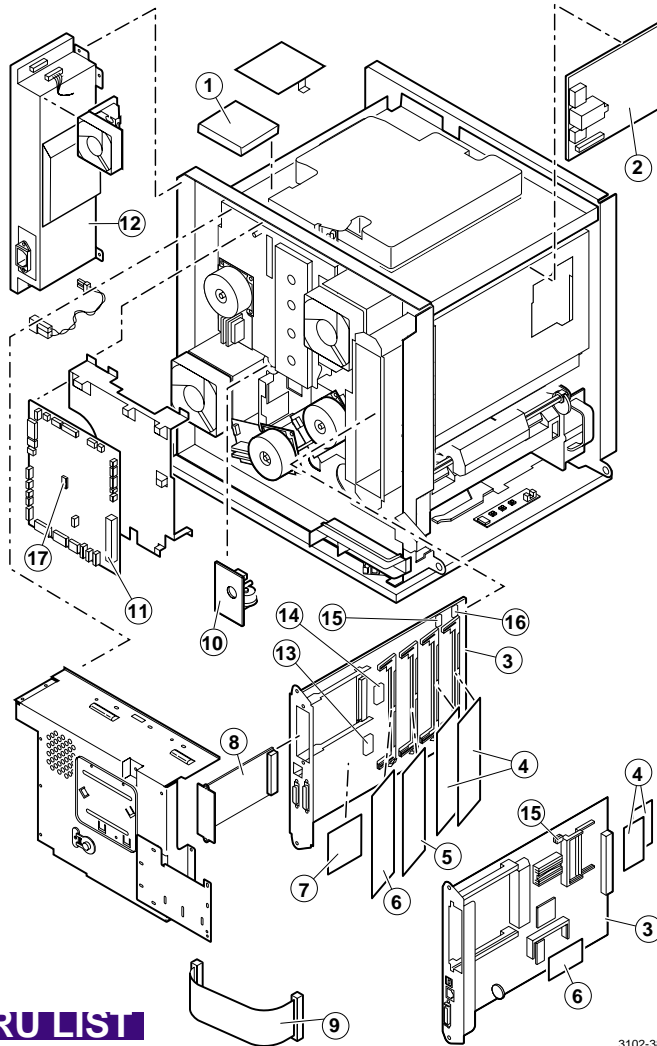
Item:	Part Number:	Serial number:	Quantity:	Description:
17	116-0072-00		1	Print engine EEPROM, Phaser 740
	116-0859-00		1	Print engine EEPROM, Phaser 750



Item: **Part Number:** **Serial number:** **Quantity:** **Description:**
118-9919-00 1 Lower tray circuit board



Item:	Part Number:	Serial number:	Quantity:	Description:
	163-1307-01		1	Print Engine Bd ROM, V24, 740 only
	163-1452-00		1	Print Engine Bd FW ROM,750 only



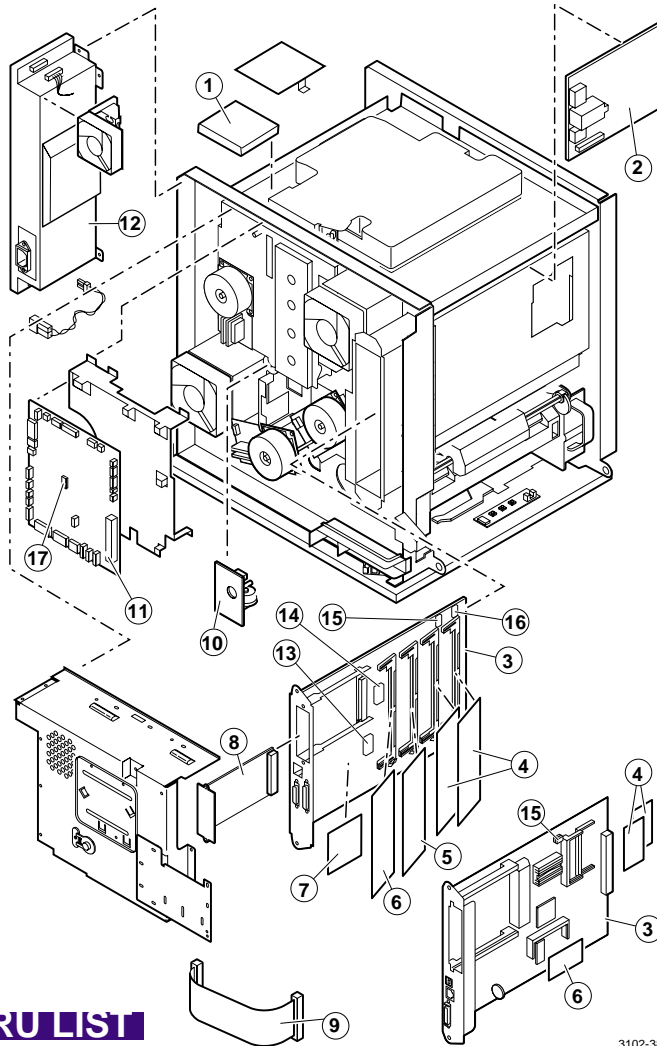
Item:

Part Number:
163-1440-00

Serial number:

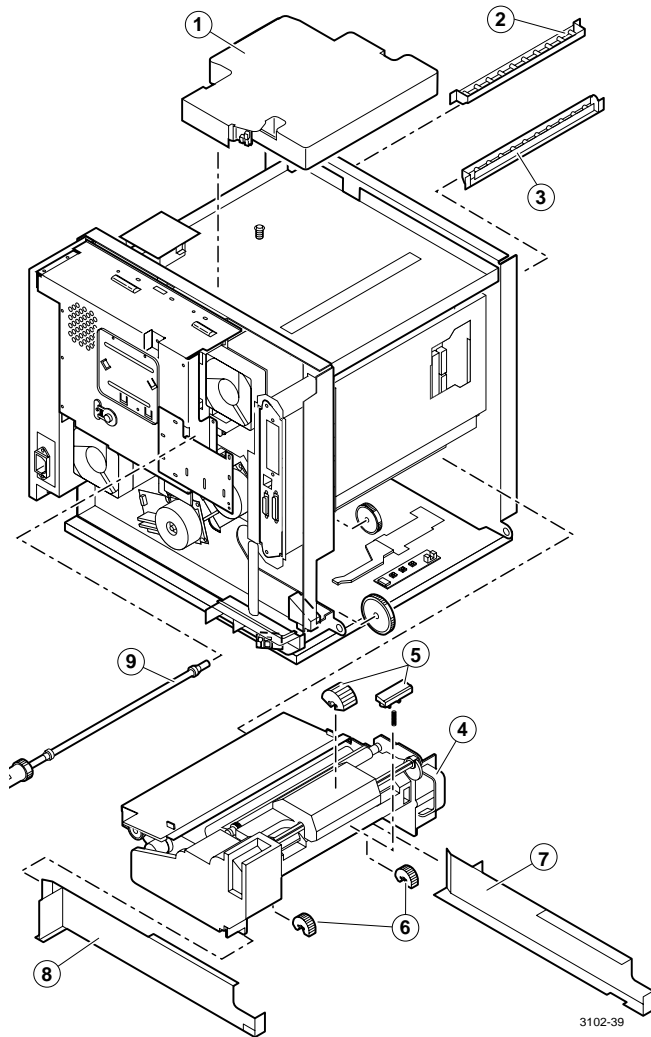
Quantity:
1

Description:
NVRAM, Engine Control Bd, P750



Item: 1
Part Number: 118-9901-00
116-0857-00
Serial number:

Quantity: 1
Description: Laser scanner unit (Phaser 740)
Laser scanner unit (Phaser 750)



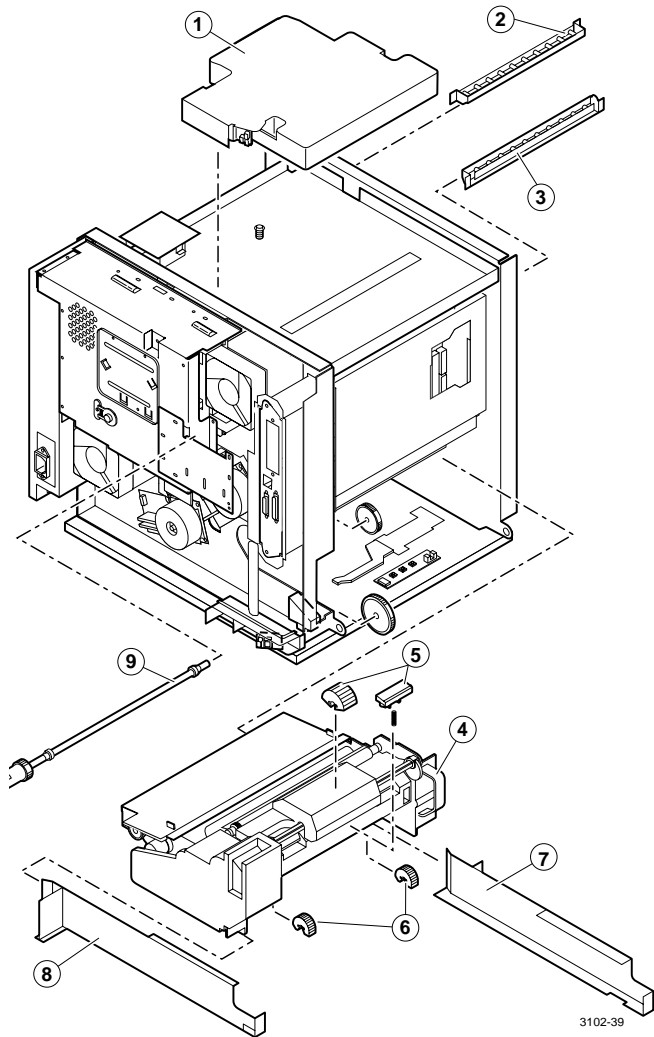
Item:
2

Part Number:
118-9546-00

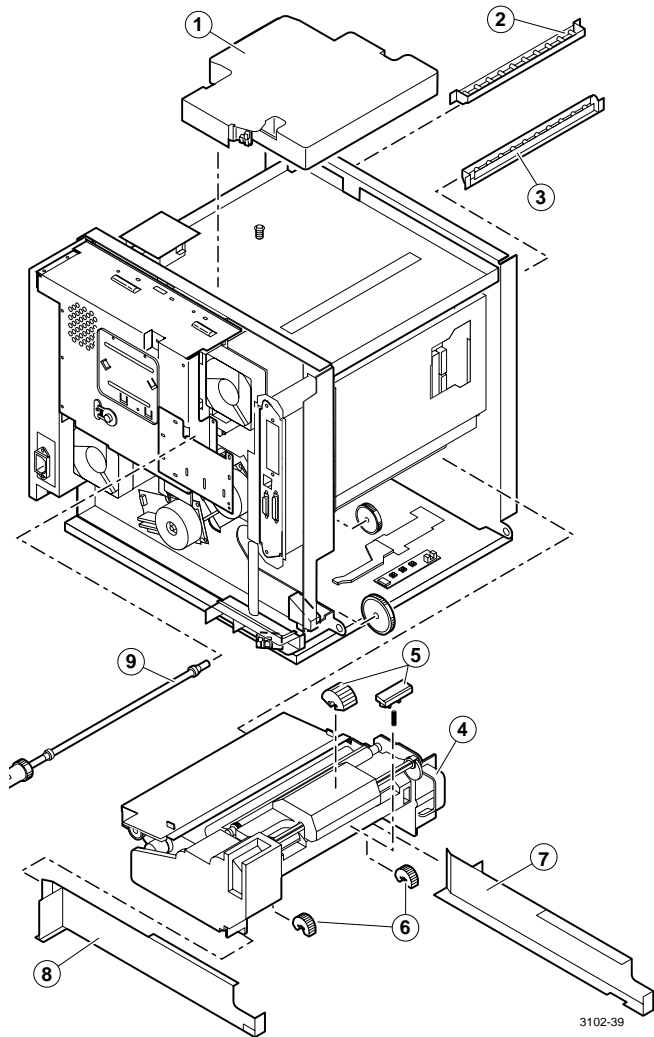
Serial number:

Quantity:
1

Description:
Pre-transfer lamp

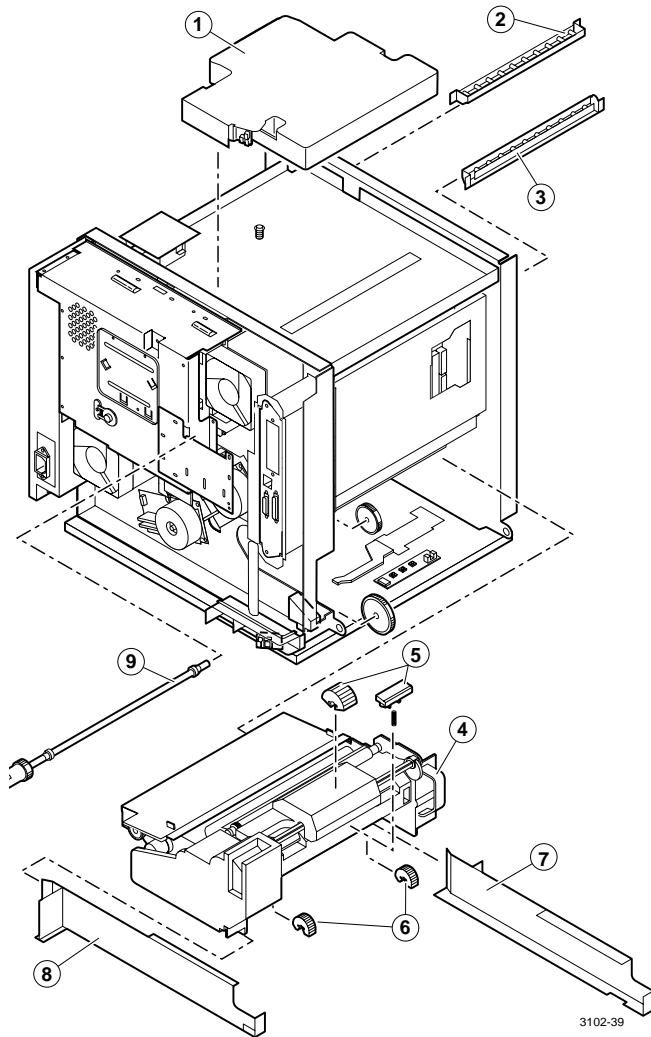


Item:	Part Number:	Serial number:	Quantity:	Description:
3	118-9549-00		1	Pre-exposure erase lamp



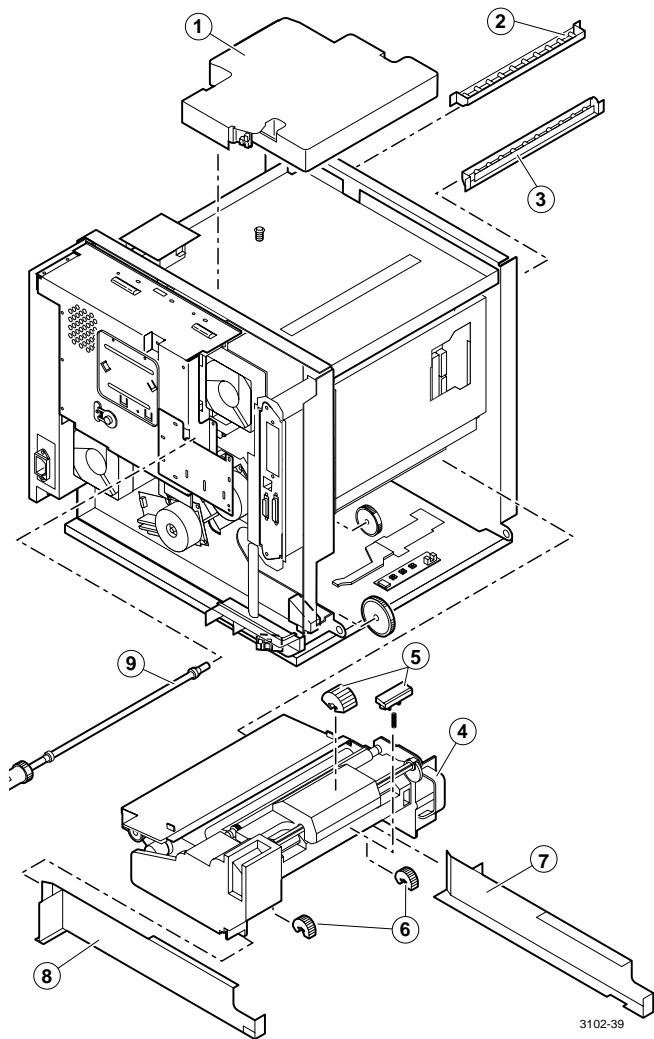
Item: 4
Part Number: 118-9895-00
116-0858-00
Serial number:

Quantity: 1
Description: Paper feeder (Phaser 740)
1
Paper feeder (Phaser 750)



Item: 5
Part Number: 118-9896-00
Serial number:

Quantity: 1
Description:
Multi-purpose tray kit
pick roller
pad spring
pick pad



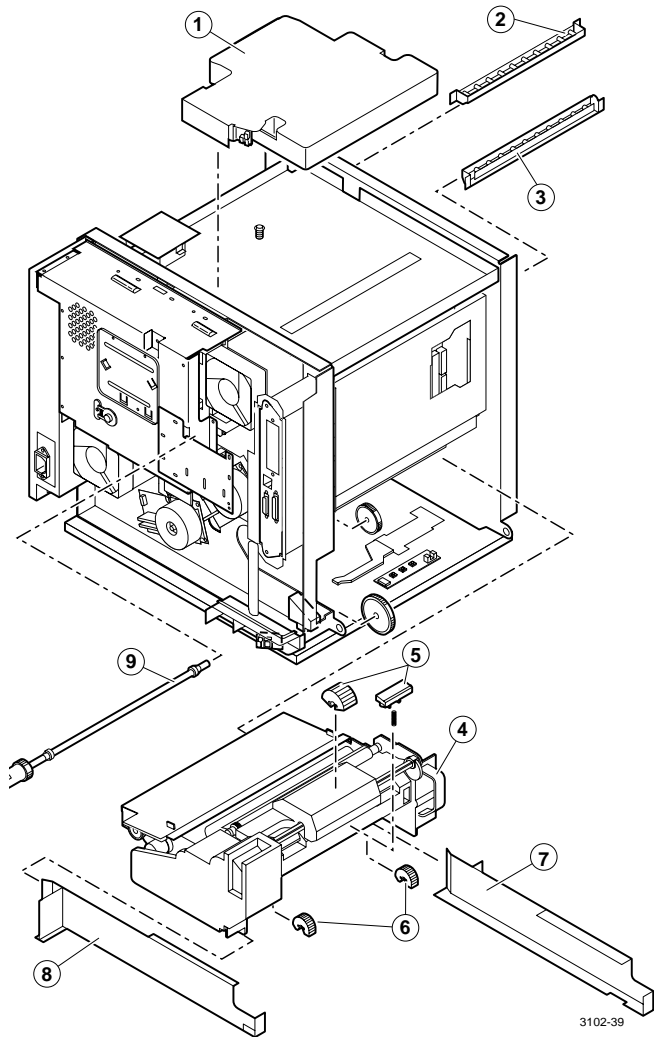
Item:
6

Part Number:
118-9563-00

Serial number:

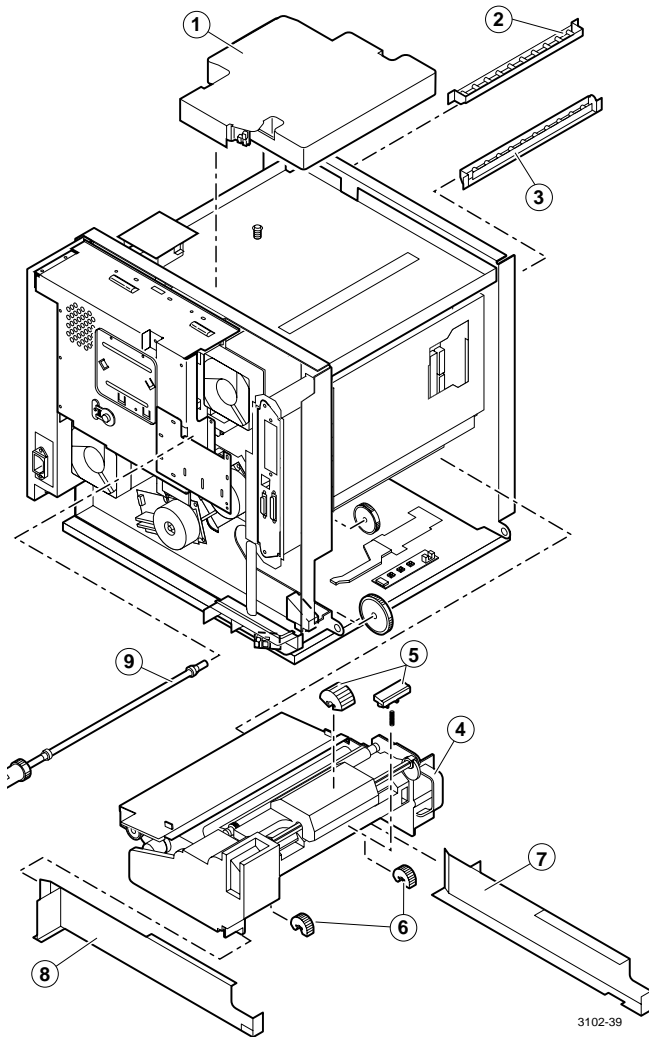
Quantity:
2

Description:
D-roller, paper feed

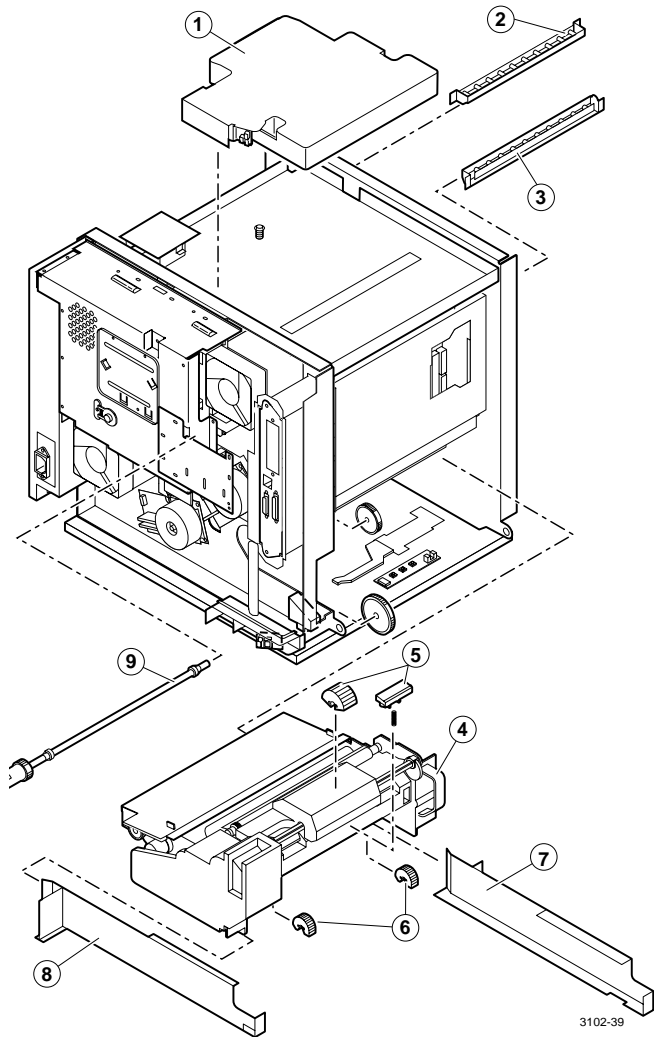


Item: 7
Part Number: 118-9912-00
Serial number:

Quantity: 1
Description: Guide, paper tray, front

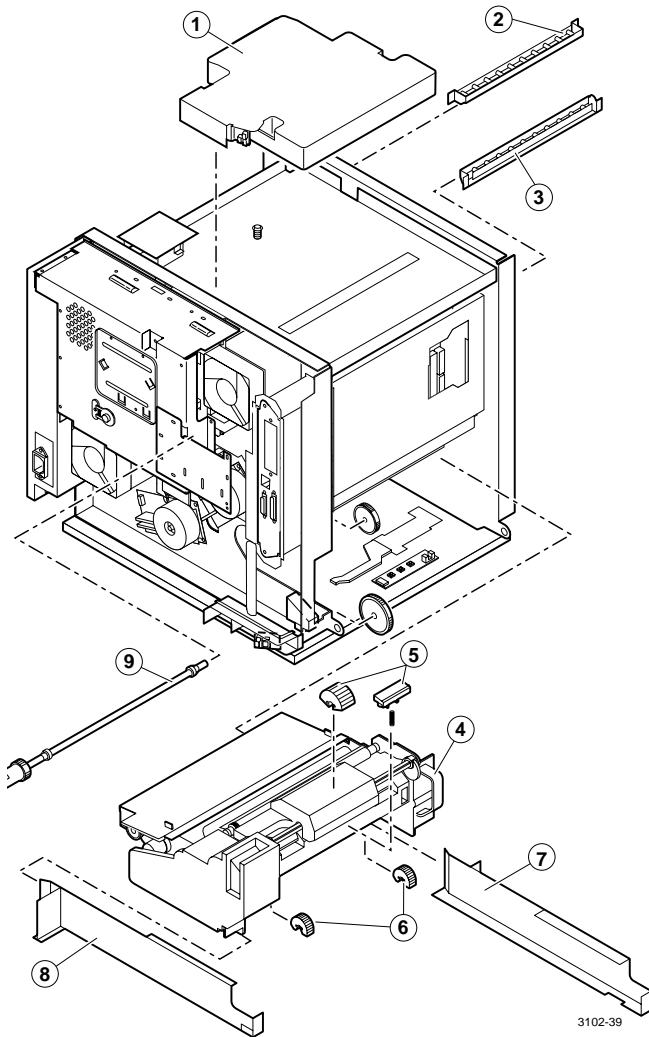


Item:	Part Number:	Serial number:	Quantity:	Description:
8	118-9911-00		1	Guide, paper tray, rear

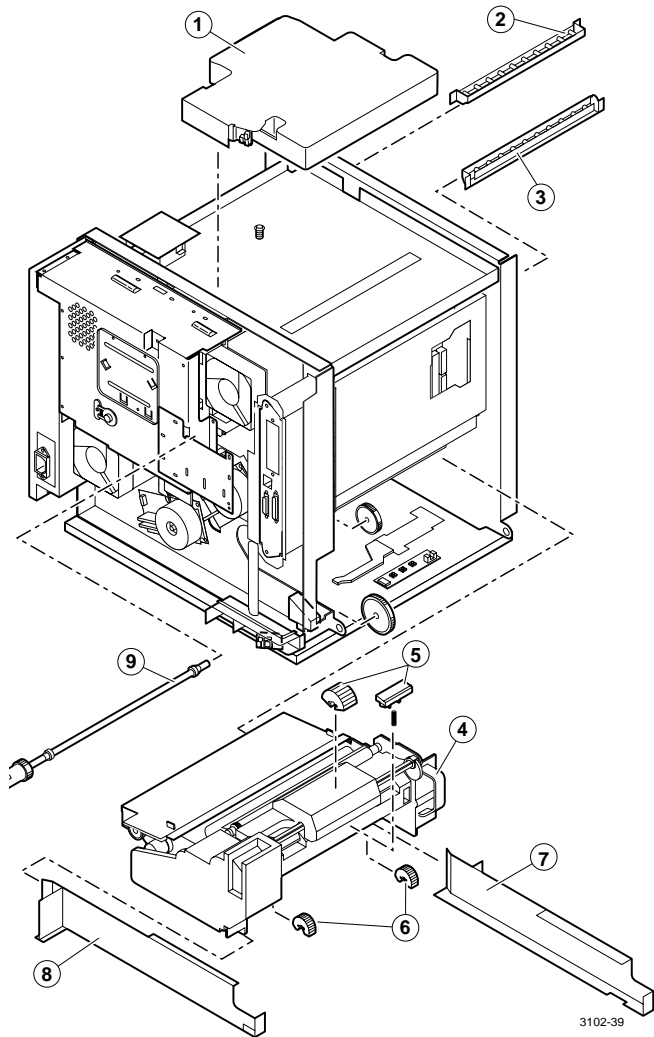


Item: 9
Part Number: 118-9600-01
Serial number:

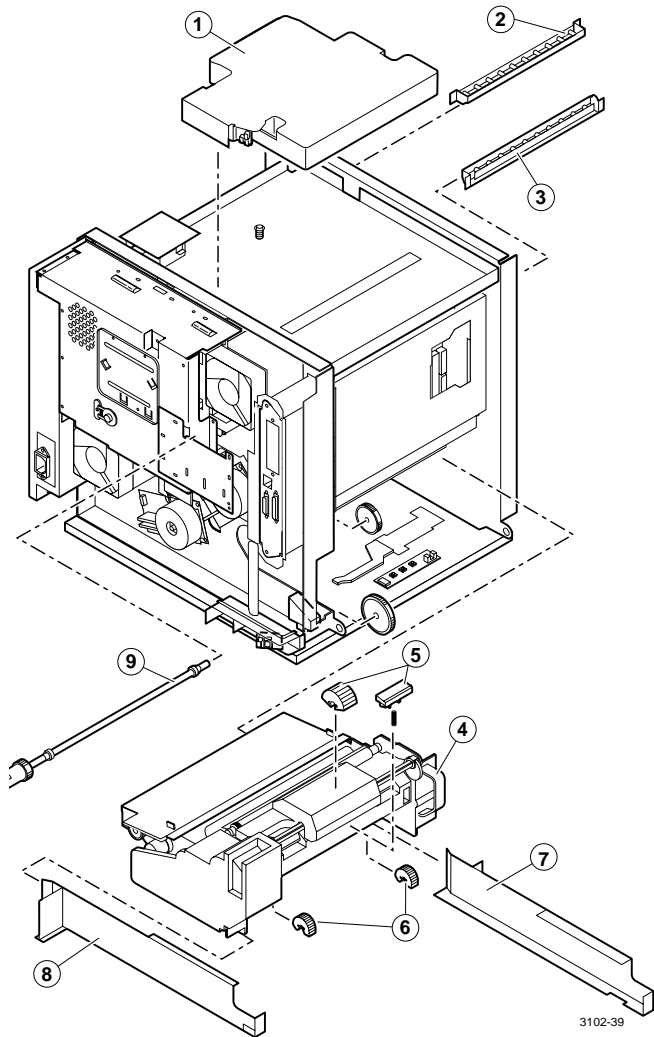
Quantity: 1
Description: Accumulator cleaning blade clutch assy



Item: Part Number: Serial number: Quantity: Description:
118-9916-00 1 Duplex tray connector



Item: Part Number: Serial number: Quantity: Description:
119-5890-01 1 Duplex unit (service only)



Item:	Part Number:	Serial number:	Quantity:	Description:
	119-5889-01		1	Lower Tray Assembly (no trays supplied)

